



AUL-03-SS

Inground Uplight
Elements

Description

Inground Uplight

Material

Stainless Steel 304 & ABS Plastic Case

Glass

Clear High Temperature Lens

Light Source Options

- 20W Halogen MR16
- 35W Halogen MR16
- 3W LED MR16 Lamp

IP Rating

IP 65

Wiring

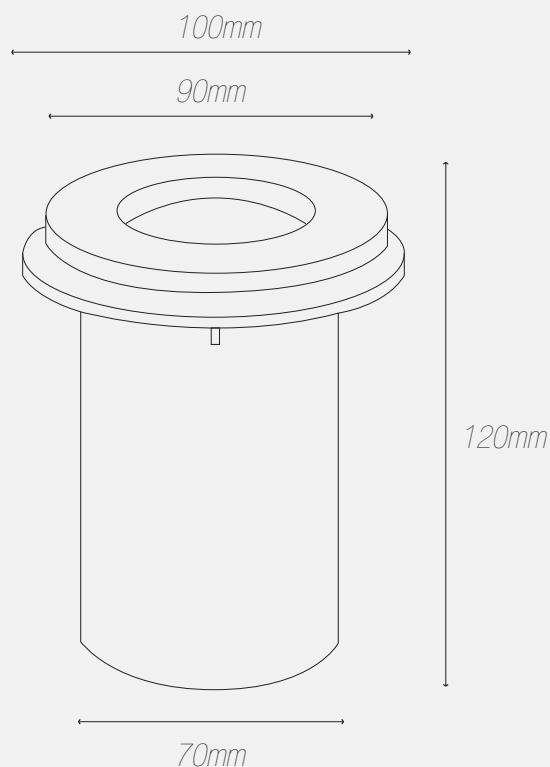
.3M Silicon Cable

Warranty

2 Year Limited Warranty

Warning!

Light surface can become very hot during operation with Halogen lamps. Please take caution when placing lamps in high traffic areas.



www.aqualux.com.au / ph 1300 662 644

Copyright 2007 Telectran International Pty Ltd. Aqualux & Aquatran are registered trademarks of Telectran International Pty Ltd.