



---

# Polaris MS

---

High Power RGB Flood Lights & Control Systems

---



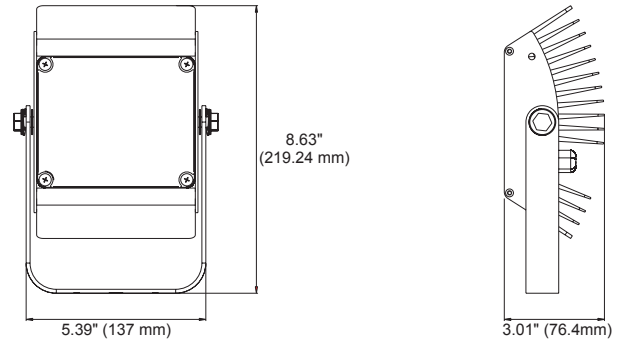
# Polaris MS

## AQL-910-MS Architectural RGB Flood Lights & Control Systems

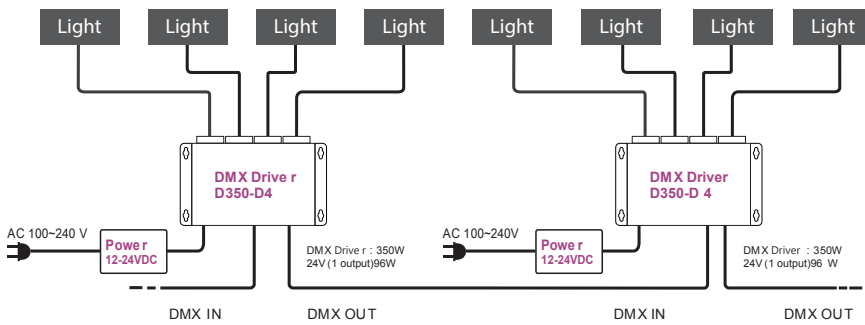
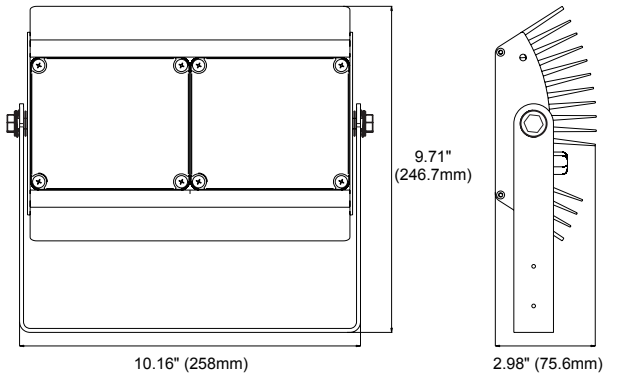
Base Product Code	AQL-910-MS-001	AQL-910-MS-002	AQL-910-MS-011	AQL-910-MS-012
<b>LED System</b>	6 x RGBW	6 x RGBW	12 x RGBW	12 x RGBW
<b>Voltage</b>	24 VDC	24 VDC	24 VDC	24 VDC
<b>Power (+/- 10%)</b>	50W	50W	100W	100W
<b>Optical System</b>	30 Degree	50 Degree	30 Degree	50 Degree
<b>Output Lumens</b>	5560 lms	5560 lms	2780 lms	2780 lms
<b>Construction</b>	CNC Machined & Anodised Aluminium			
<b>LED Source</b>	RGBW LED (W = 4000K)			
<b>Driver Options</b>	24V DC Power Supply Required			
<b>Control Options</b>	D350-D4 Control Unit Required / DMX512 Compatible			
<b>IP Rating</b>	IP67 (Lights)			
<b>Installation Style</b>	Surface Mount U-Bracket Supplied			
<b>Output Cable</b>	2M 5-Core Cable / 20M Option			
<b>Warranty</b>	3-Year Aqualux Warranty			
<b>Operating Temp</b>	-10C ~ 40C			
<b>Optical Options</b>	30D / 50D / 70D			



MS-1 / 50W



MS-2 / 100W

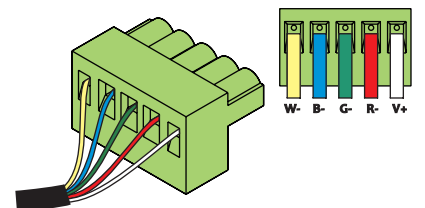


## Power & Control Systems

### D350-D4 Control Interface

- USITT DMX512-A Compatible
- 5-Way Terminal Blocks
- Built in Colours
- Built in Fade Effects
- IR Remote Control

Model	Type	Power	Ports
D350-D4	Controller	350W Max	4 x 24VDC
AQD-100-24-060	Power Supply	60W	24VDC Power Supply
AQD-MW-HLG-320H-24	Power Supply	320W Max	24VDC Power Supply



Connector : Terminal Block