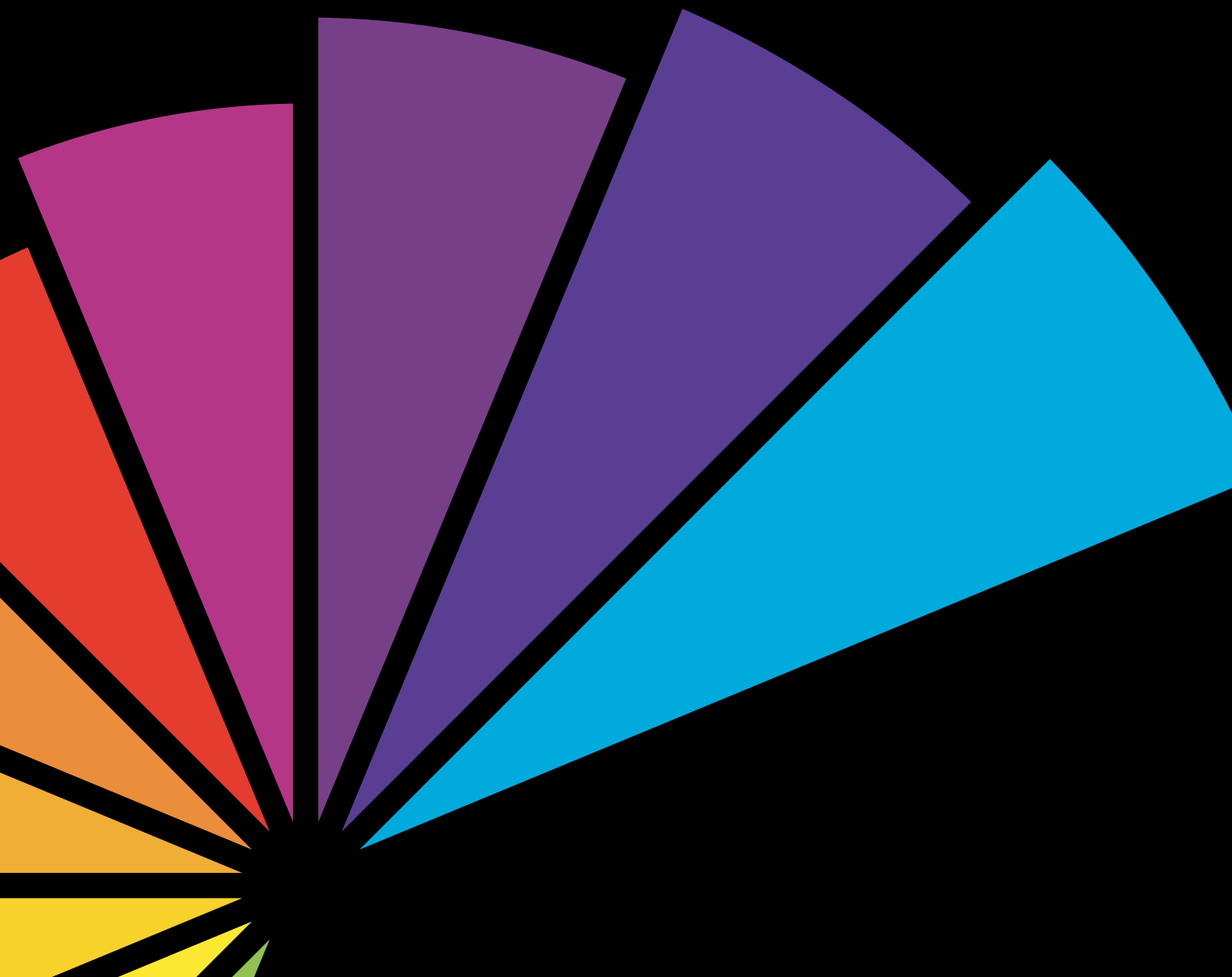




# Landscape Lighting

Catalogue

2017/2







ASL-01-BR

AWL-02-BR-LED



# Landscape Lighting

The Aqualux Lighting range offers a full selection of landscape lighting luminaires perfect for any size project and covering a range of styles from traditional to modern. Incorporating the latest LED technology and backed by local support, Aqualux is the partner to choose for your next landscape lighting project.

- Australian-owned, Sydney-based design, manufacture & assembly
- Latest LED technology incorporating innovative custom designed electronics and optics
- Local support and pre-sales service for project design advice and recommendations

## Lumena / CNC Anodised

Satin Chrome / Black / Antique Brass



**AQL-195**  
Micro Up Light  
1.5W / 100lms



**AQL-155**  
Deck Light  
3W 300lms / 6W 550lms



**AQL-165**  
2-Way Runway Light  
2W / 100lms



**AQL-166**  
4-Way Runway Light  
4W / 200lms



**AQL-135**  
Mini Bollard - Spike  
6W / 250lms



**AQL-136**  
Mini Bollard - Surface  
6W / 250lms



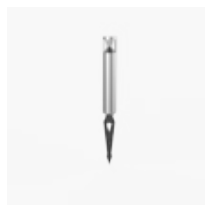
**AQL-105**  
Fixed Spike Light  
3W 300lms / 6W 550lms



**AQL-115**  
Adjustable Spike  
3W 300lms / 6W 550lms



**AQL-131**  
Mini Bollard - Surface  
6W / 250lms



**AQL-130**  
Mini Bollard - Surface  
6W / 250lms



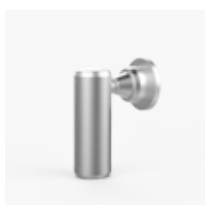
**AQL-132**  
High Power Spike Spot  
15W 1400lms



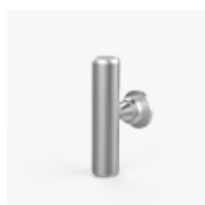
**AQL-220**  
Adjustable Spot  
3W 300lms / 6W 550lms



**AQL-175**  
Puck Light  
2W / 200lms



**AQL-215**  
Wall Light  
3W 300lms / 6W 550lms



**AQL-305**  
Wall Light  
6W 600lms / 12W 1100lms

## Phoenix / Cast Brass

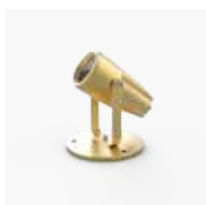
Natural / Aged Brass / Black / Brushed Nickle / Brushed Copper



**AQL-520**  
Step Light  
4W 200lms



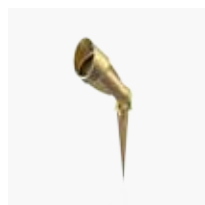
**AQL-510**  
Adjustable Spot  
4W 200lms



**AQL-540**  
Adjustable Spot Light  
4W 300lms / 6W 550lms



**AQL-530**  
Inground Up Light  
4W 300lms / 6W 550lms

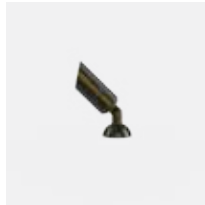


**AQL-503**  
Adjustable Spike Light  
4W 300lms / 6W 550lms

# Hydra / Aged Brass



**ASL-01-BR**  
Adjustable Spike Spot  
GX5.3 LED Globe



**SM**  
Adjustable Spike Spot  
GX5.3 LED Globe



**SMS-38**  
Adjustable Spike Spot  
GX5.3 LED Globe



**ABL-01-BR-LED**  
Hooded Pathway Light  
6W / 200lm



**SMS-38-EL**  
Surface Mount Path Light  
GX5.3 LED Globe



**SMS-60-EL**  
Surface Mount Path Light  
GX5.3 LED Drop In



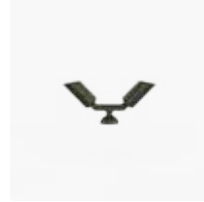
**SMS-60**  
Surface Mount Path Light  
GX5.3 LED Globe



**AWL-01-BR**  
Step Light  
JC-20 / Integrated LED



**AWL-02-BR**  
Step Light  
JC-20 / Integrated LED



**SMT**  
Twin Spot Light  
GX5.3 LED Globe



**SMT-60**  
Twin Path Light  
GX5.3 LED Globe



**SPS-38**  
Single Spot Light - 38cm  
GX5.3 LED Globe



**SPS-38-EL**  
Single Spot - Elbow  
GX5.3 LED Globe



**SPS-60**  
Single Spot Light - 60cm  
GX5.3 LED Globe

# Artisan / Aged Brass



**AQA-101-BR**  
Fixed Up/Down Wall Light  
LED GX5.3 / Integrated



**AQA-102-BR**  
Fixed Wall Light  
LED GX5.3 / Integrated



**AQA-103-BR**  
Adjustable Wall Light  
LED GX5.3 / Integrated



**AQA-104-BR**  
Twin Adjustable Wall Light  
LED GX5.3 / Integrated



**AQA-106-BR**  
Adjustable Spike Light  
LED GX5.3 / Integrated

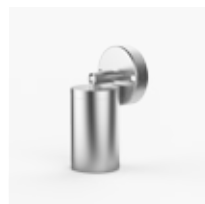
# Artisan / Stainless Steel



**AQA-101-SS**  
Fixed Up/Down Wall Light  
LED GX5.3 / Integrated



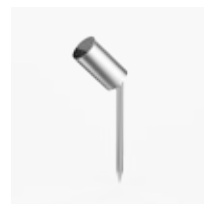
**AQA-102-SS**  
Fixed Wall Light  
LED GX5.3 / Integrated



**AQA-103-SS**  
Adjustable Wall Light  
LED GX5.3 / Integrated



**AQA-104-SS**  
Twin Adjustable Wall Light  
LED GX5.3 / Integrated



**AQA-106-SS**  
Adjustable Spike Light  
LED GX5.3 / Integrated



## Elements / Copper & Brass



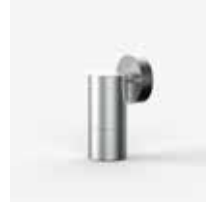
**AWL-06-CP**  
Fixed Wall Light  
GX5.3 LED Globe



**AWL-05-CP**  
Adjustable Wall Light  
GX5.3 LED Globe



**AWL-03-CP**  
Wall Light  
GX5.3 LED Globe



**AWL-06-SS**  
Fixed Wall Light  
GX5.3 / GU10 LED Globe



**AWL-05-SS**  
Adjustable Wall Light  
GX5.3 / GU10 LED Globe



**AWL-03-SS**  
Wall Light  
GX5.3 / GU10 LED Globe



**ABL-01-CP-LED**  
Hooded Pathway Light  
6W / 200lm



**AUL-03-BR**  
Inground Up Light / Square  
GX5.3 LED Globe



**AUL-04-BR**  
Inground Up Light / Round  
GX5.3 LED Globe



**AUL-03-SS**  
Inground Up Light / Square  
GX5.3 LED Globe



**AUL-04-SS**  
Inground Up Light / Round  
GX5.3 LED Globe



**ASL-05-SS**  
Spike Light  
GX5.3 LED Globe



**AUL-02-CP**  
Spike Light  
GX5.3 LED Globe



**ASL-04-SS**  
Adjustable Spot Light  
GX5.3 LED Globe



**AUL-02-SS**  
Spike Light  
GX5.3 LED Globe

## Orion / Floodlights



**AQL-930**  
Industrial Floodlight  
100W Integrated LED



**AQL-935**  
Industrial Floodlight  
50W Integrated LED



**AQL-910**  
Commercial Floodlight  
50W Integrated LED



**AQL-910**  
Commercial Floodlight  
100W Integrated LED



**AQL-910**  
RGBW Floodlight  
50W Integrated LED



**AQL-910**  
RGBW Floodlight  
100W Integrated LED

## LED Flex



**AQS-260**  
24V AC LED Flex



**AQS-500**  
24V DC LED Flex / IP68



**AQS-130**  
24V DC LED Flex



**AQS-160**  
24V DC LED Flex



**AQS-320**  
24V DC / Side Emitting



---

**The Lumena  
landscape  
lighting system  
is a collection  
of luminaires  
designed to  
provide the  
ultimate in  
design freedom  
and quality of  
workmanship.**

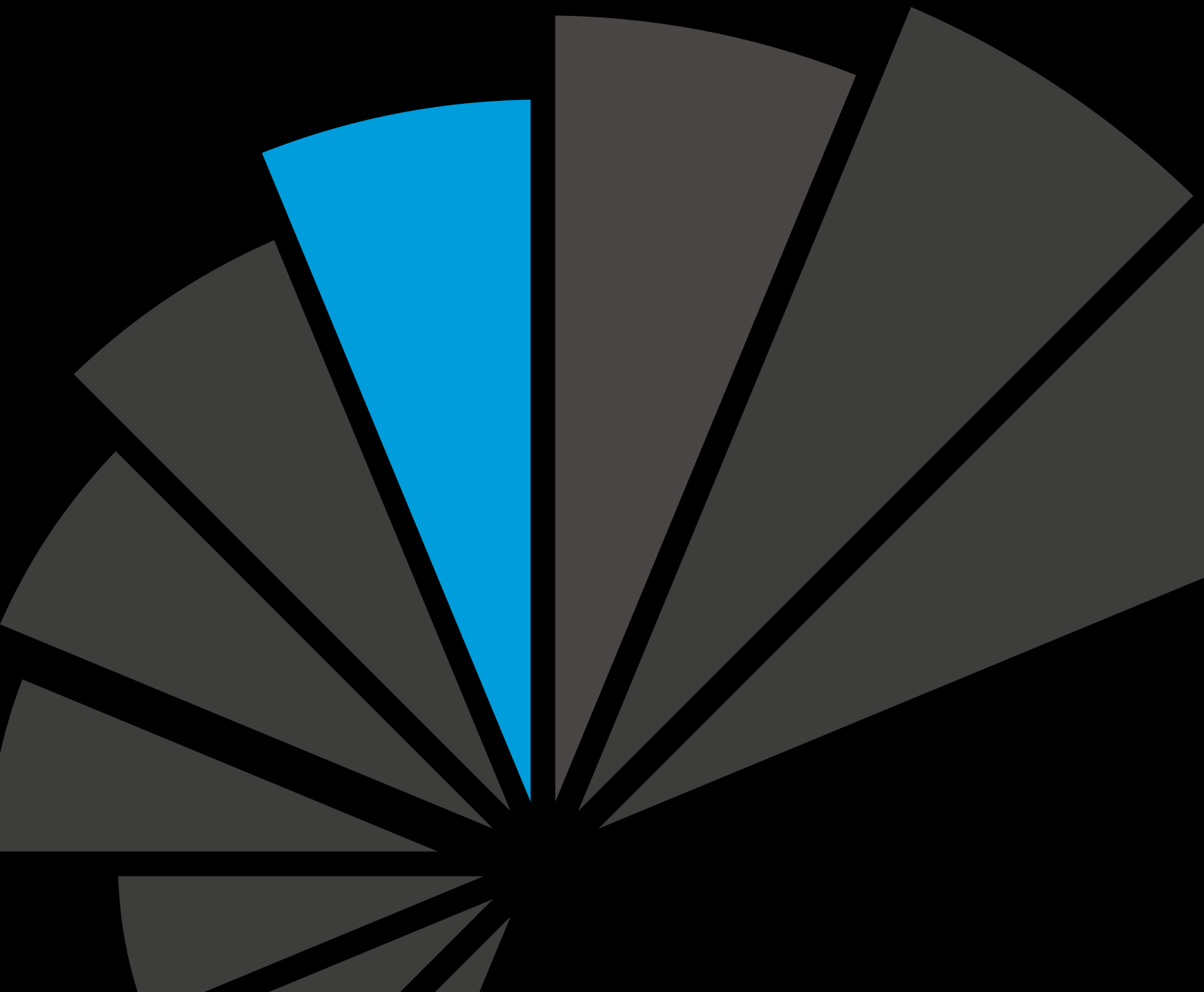
**Built for modern  
landscapes**

Modern landscape design demands modern lighting solutions. Lumena is at the forefront of LED lighting technology, delivering advanced luminaires in compact, minimal designs that feature the latest LED chips and custom developed drivers and control technology.

# Lumena

---

Landscape Lighting System







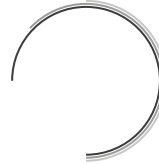
# Lumena

**The Lumena collection of advanced landscape luminaires is designed for high-performance and long-lasting durability in all outdoor environments.**

**Constructed from Aerospace-grade aluminium and utilising the latest in LED technology from CREE, the Lumena range is suitable for a wide variety of architectural and landscape lighting projects.**

## **Aerospace-Grade Aluminium & Anodising**

The Lumena range is precision CNC machined from extruded profiles of AL6061-T3 Aluminium and then anodised in a selection of colours. Similar materials and processes are utilised in the aerospace, marine and automotive racing industries. Anodised aluminium has superior long-term durability, thermal conductivity and low-maintenance qualities when compared to Stainless Steel, making it an ideal material for LED luminaires.



## **LEDs**

Lumena utilises CREE LED's exclusively in a variety of platforms and packages. By choosing to use only CREE, Lumena is able to demonstrate leading lumen / watt ratios and deliver superior overall efficacy.



## **Assembled in Australia**

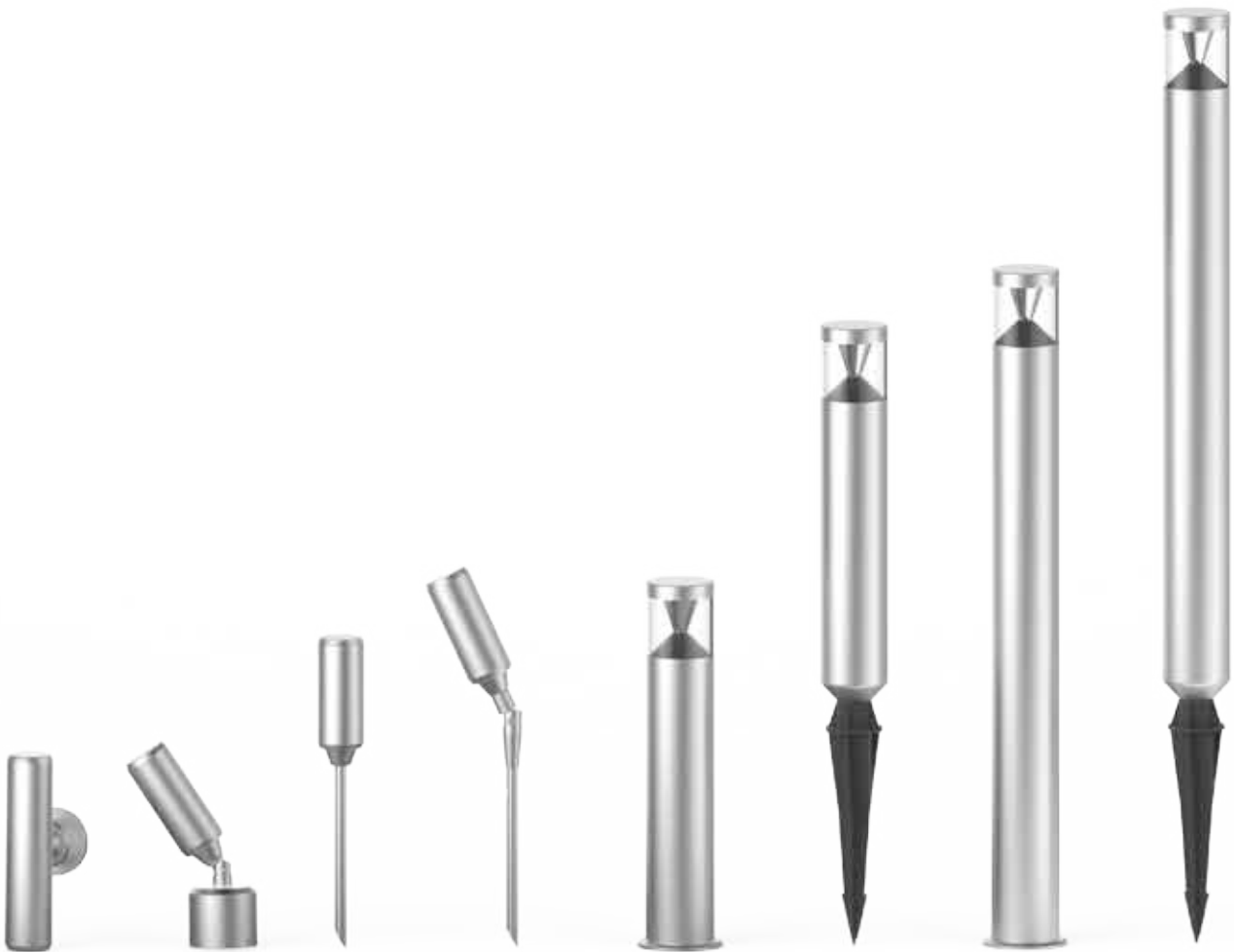
By choosing to retain our full assembly capacity in Sydney, Australia, Aqualux is able to ensure the highest build quality standards are adhered to. From prototype through to mass-production, our assembly team is able to deliver products on time and to the standards our customers expect.



## **Sustainable Lighting**

Our commitment to delivering sustainable products is present throughout our organisation. From our Sydney factory running on 100% Renewable Energy, through to sustainable product design & packaging choices - not to mention the development of lighting products that use 20% of the energy of their previous halogen equivalents!





AQL-105

# Spike Spotlight

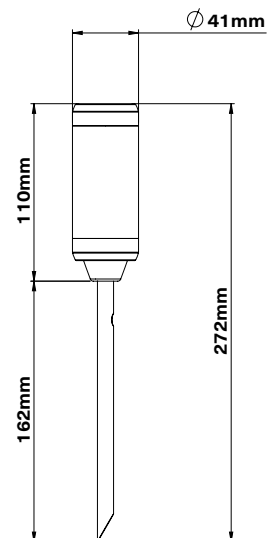


## TECHNICAL

Product Code	<b>AQL-105</b>
Product Family	<b>Lumena</b>
Mounting	<b>Spike Spotlight</b>
Construction	<b>CNC Machined / Anodised 6061</b>
Electrical	<b>SELV 12 ~ 24V AC / 15 ~ 24V DC</b>
Cable	<b>900mm Aqualux Dual Silicon/PTFE</b>
IP Rating	<b>IP67</b>
Warranty	<b>3 Year Aqualux Warranty</b>
Additional	<b>RGBW Option</b> <b>AqualuxPLUS+</b>

## CONFIGURE

Body Options	<b>Satin Chrome</b>	<b>SC</b>	
	<b>Black</b>	<b>BK</b>	
	<b>Antique Brass</b>	<b>AB</b>	
	<b>Gunmetal Grey</b>	<b>GG</b>	
LED Options	<b>300lms [3000K/5500K]</b>	<b>X03</b>	<b>3W</b>
	<b>550lms [3000K / 5500K]</b>	<b>X12</b>	<b>6W</b>
	<b>Red / Green / Blue / Amber</b>	<b>R / G / B / A</b>	<b>2.5W</b>
	<b>RGBW</b>	<b>Z</b>	<b>5.0W</b>
Optic	<b>Narrow</b>	<b>10 FWHM</b>	<b>N</b>
	<b>Medium</b>	<b>25 FWHM</b>	<b>M</b>
	<b>Wide</b>	<b>40 FWHM</b>	<b>W</b>



AQL-115

# Adjustable Spike Spotlight

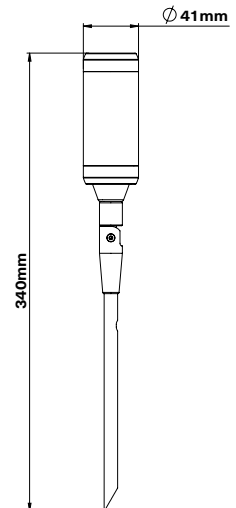


## TECHNICAL

Product Code	<b>AQL-115</b>
Product Family	<b>Lumena</b>
Mounting	<b>Adjustable Spike Spotlight</b>
Construction	<b>CNC Machined / Anodised 6061</b>
Electrical	<b>SELV 12 ~ 24V AC / 15 ~ 24V DC</b>
Cable	<b>900mm Aqualux Dual Silicon/PTFE</b>
IP Rating	<b>IP67</b>
Warranty	<b>3 Year Aqualux Warranty</b>
Additional	<b>RGBW Option</b> <b>AqualuxPLUS+</b>

## CONFIGURE

Body Options	<b>Satin Chrome</b>	<b>SC</b>	
	<b>Black</b>	<b>BK</b>	
	<b>Antique Brass</b>	<b>AB</b>	
	<b>Gunmetal Grey</b>	<b>GG</b>	
	LED Options	<b>300lms [3000K/5500K]</b>	<b>X03</b>
	<b>550lms [3000K / 5500K]</b>	<b>X12</b>	<b>6W</b>
	<b>Red / Green / Blue / Amber</b>	<b>R / G / B / A</b>	<b>2.5W</b>
	<b>RGBW</b>	<b>Z</b>	<b>5.0W</b>
Optic	<b>Narrow</b>	<b>10 FWHM</b>	<b>N</b>
	<b>Medium</b>	<b>25 FWHM</b>	<b>M</b>
	<b>Wide</b>	<b>40 FWHM</b>	<b>W</b>





AQL-130/131

# GEKKO Mini-Bollard

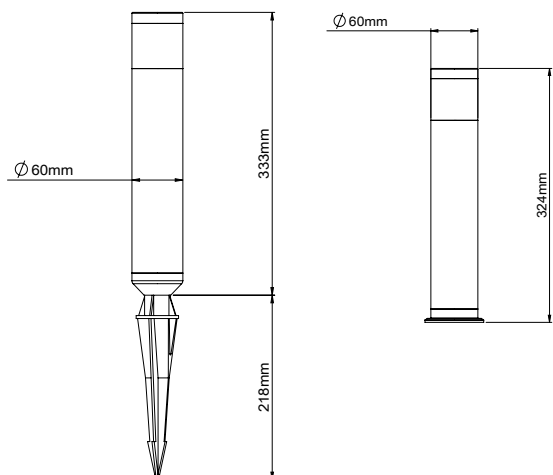


## TECHNICAL

Product Code	<b>AQL-130 (Spike) / AQL-131 (Surface Mount)</b>
Product Family	<b>Lumena</b>
Mounting	<b>Spike or Surface</b>
Construction	<b>CNC Machined / Anodised 6061</b>
Electrical	<b>SELV 12 ~ 24V AC / 15 ~ 24V DC</b>
Cable	<b>900mm Aqualux Dual Silicon/PTFE</b>
IP Rating	<b>IP67</b>
Warranty	<b>3 Year Aqualux Warranty</b>
Additional	<b>AqualuxPLUS+</b>

## CONFIGURE

Body Options	<b>Satin Chrome</b>	<b>SC</b>	
	<b>Black</b>	<b>BK</b>	
LED Options	<b>320lms [3000K]</b>	<b>X06</b>	<b>4W</b>
Optic	<b>Diffuse</b>	<b>360°</b>	



AQL-132

# GEKKO Spike Uplight

1400+ lms

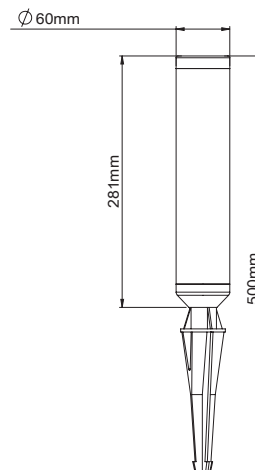


## TECHNICAL

Product Code	<b>AQL-132 High Powered Uplight</b>
Product Family	<b>Lumena</b>
Mounting	<b>Spike</b>
Construction	<b>CNC Machined / Anodised 6061</b>
Electrical	<b>SELV - 24V DC</b>
Cable	<b>900mm Aqualux Dual Silicon/ PTFE</b>
IP Rating	<b>IP67</b>
Warranty	<b>3 Year Aqualux Warranty</b>
Additional	<b>AqualuxPLUS+</b>

## CONFIGURE

Body Options	<b>Satin Chrome</b>	<b>SC</b>	
	<b>Black</b>	<b>BK</b>	
LED Options	<b>1450lms [3000K]</b>	<b>X15</b>	<b>15W</b>
Optic	<b>Narrow</b>	<b>10 FWHM</b>	<b>N</b>
	<b>Medium</b>	<b>25 FWHM</b>	<b>M</b>
	<b>Wide</b>	<b>40 FWHM</b>	<b>W</b>



AQL-135/136

# GEKKO Mini Bollard

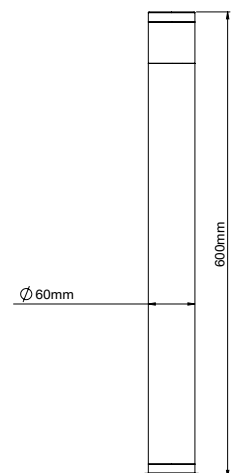
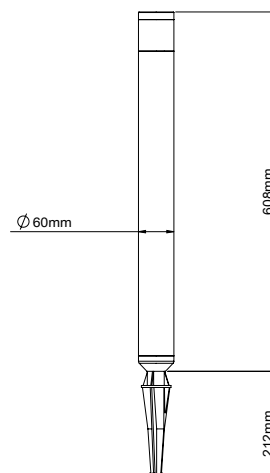


## TECHNICAL

Product Code	<b>AQL-135 (Spike) / AQL-136 (Surface Mount)</b>
Product Family	<b>Lumena</b>
Mounting	<b>Mini Bollard</b>
Construction	<b>CNC Machined / Anodised 6061</b>
Electrical	<b>SELV 12 ~ 24V AC / 15 ~ 24V DC</b>
Cable	<b>900mm Aqualux Dual Silicon/ PTFE</b>
IP Rating	<b>IP67</b>
Warranty	<b>3 Year Aqualux Warranty</b>
Additional	<b>AqualuxPLUS+</b>

## CONFIGURE

Body Options	<b>Satin Chrome</b>	<b>SC</b>	
	<b>Black</b>	<b>BK</b>	
LED Options	<b>320lms [3000K]</b>	<b>X06</b>	<b>5W</b>
Optic	<b>Diffuse</b>	<b>360°</b>	



# AQL-155 Recessed Decklight

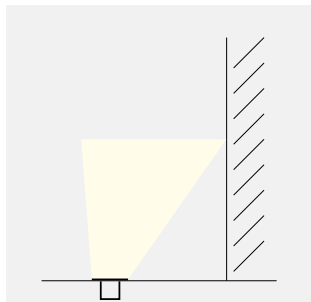


## TECHNICAL

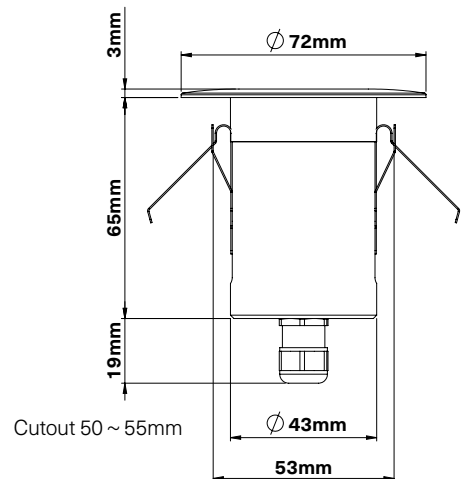
Product Code	<b>AQL-155</b>
Product Family	<b>Lumena</b>
Mounting	<b>Recessed Uplight</b>
Construction	<b>CNC Machined / Anodised 6061</b>
Electrical	<b>SELV 12 ~ 24V AC / 15 ~ 24V DC</b>
Cable	<b>900mm Aqualux Dual Silicon/PTFE</b>
IP Rating	<b>IP67</b>
Warranty	<b>3 Year Aqualux Warranty</b>
Additional	<b>RGBW Option</b> <b>AqualuxPLUS+</b>

## CONFIGURE

Body Options	<b>Satin Chrome</b>	<b>SC</b>	
	<b>Black</b>	<b>BK</b>	
	<b>Antique Brass</b>	<b>AB</b>	
	<b>Gunmetal Grey</b>	<b>GG</b>	
	LED Options	<b>300lms [3000K/5500K]</b>	<b>X03</b>
	<b>550lms [3000K / 5500K]</b>	<b>X12</b>	<b>6W</b>
	<b>Red / Green / Blue / Amber</b>	<b>R / G / B / A</b>	<b>2.5W</b>
	<b>RGBW</b>	<b>Z</b>	<b>5.0W</b>
Optic	<b>Narrow</b>	<b>10 FWHM</b>	<b>N</b>
	<b>Medium</b>	<b>25 FWHM</b>	<b>M</b>
	<b>Wide</b>	<b>40 FWHM</b>	<b>W</b>
	<b>Wall Washer / Cutoff</b>	<b>-</b>	<b>A</b>



Wall Washer / Cutoff Option



AQL-165

# Runway Light / 180°

2017 Version

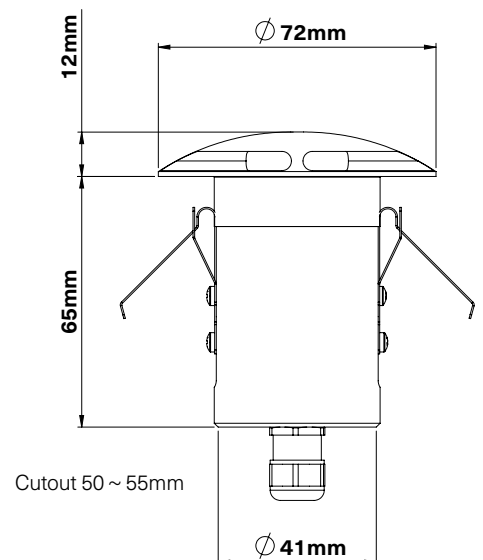


## TECHNICAL

Product Code	<b>AQL-165</b>
Product Family	<b>Lumena</b>
Mounting	<b>2-Way Runway Light</b>
Construction	<b>CNC Machined / Anodised 6061</b>
Electrical	<b>SELV 12 ~ 24V AC / 15 ~ 24V DC</b>
Cable	<b>900mm Aqualux Dual Silicon/PTFE</b>
IP Rating	<b>IP67</b>
Warranty	<b>3 Year Aqualux Warranty</b>
Additional	<b>AqualuxPLUS+</b>

## CONFIGURE

Body Options	<b>Satin Chrome</b>	<b>SC</b>	
	<b>Black</b>	<b>BK</b>	
	<b>Antique Brass</b>	<b>AB</b>	
	<b>Gunmetal Grey</b>	<b>GG</b>	
LED Options	<b>150lms [3000K / 5500K]</b>	<b>X12</b>	<b>4.5W</b>
	<b>Red / Green / Blue / Amber</b>	<b>R / G / B / A</b>	<b>2.5W</b>
Optic	<b>Diffuse</b>		



# AQL-166 Runway Light / 360°

2017 Version

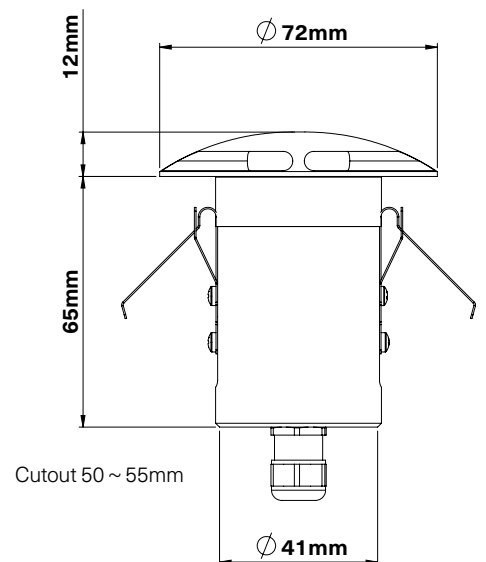


## TECHNICAL

Product Code	<b>AQL-166</b>
Product Family	<b>Lumena</b>
Mounting	<b>4-Way Runway Light</b>
Construction	<b>CNC Machined / Anodised 6061</b>
Electrical	<b>SELV 12 ~ 24V AC / 15 ~ 24V DC</b>
Cable	<b>900mm Aqualux Dual Silicon/PTFE</b>
IP Rating	<b>IP67</b>
Warranty	<b>3 Year Aqualux Warranty</b>
Additional	<b>AqualuxPLUS+</b>

## CONFIGURE

Body Options	<b>Satin Chrome</b>	<b>SC</b>	
	<b>Black</b>	<b>BK</b>	
	<b>Antique Brass</b>	<b>AB</b>	
	<b>Gunmetal Grey</b>	<b>GG</b>	
LED Options	<b>300lms [3000K / 5500K]</b>	<b>X12</b>	<b>6W</b>
	<b>Red / Green / Blue / Amber</b>	<b>R / G / B / A</b>	<b>2.5W</b>
Optic	<b>Diffuse</b>	-	



# AQL-175 Pucklight

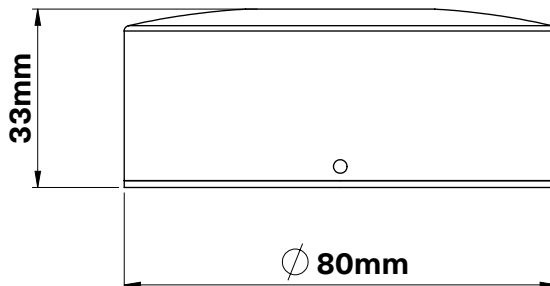


## TECHNICAL

Product Code	<b>AQL-175</b>
Product Family	<b>Lumena</b>
Mounting	<b>Surface Mount Light</b>
Construction	<b>CNC Machined / Anodised 6061</b>
Electrical	<b>SELV 12 ~ 24V AC / 15 ~ 24V DC</b>
Cable	<b>900mm Aqualux Dual Silicon/PTFE</b>
IP Rating	<b>IP67</b>
Warranty	<b>3 Year Aqualux Warranty</b>
Additional	<b>RGBW Option Available</b> <b>AqualuxPLUS+</b>

## CONFIGURE

Body Options	<b>Satin Chrome</b>	<b>SC</b>	
	<b>Black</b>	<b>BK</b>	
	<b>Antique Brass</b>	<b>AB</b>	
	<b>Gunmetal Grey</b>	<b>GG</b>	
LED Options	<b>300lms [3000K / 5500K]</b>	<b>X03</b>	<b>3W</b>
	<b>Red / Green / Blue / Amber</b>	<b>R / G / B / A</b>	<b>2.5W</b>
	<b>RGBW</b>	<b>Z</b>	<b>5.0W</b>
Optic	<b>Narrow</b>	<b>10 FWHM</b>	<b>N</b>
	<b>Medium</b>	<b>25 FWHM</b>	<b>M</b>
	<b>Wide</b>	<b>40 FWHM</b>	<b>W</b>



# AQL-195 Micro Decklight

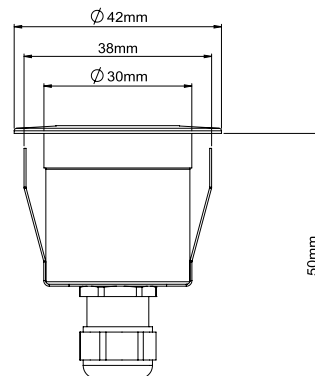


## TECHNICAL

Product Code	<b>AQL-195</b>
Product Family	<b>Lumena</b>
Mounting	<b>Micro Uplight</b>
Construction	<b>CNC Machined / Anodised 6061</b>
Electrical	<b>SELV 12 ~ 24V AC / 15 ~ 24V DC</b>
Cable	<b>900mm Aqualux Dual Silicon/PTFE</b>
IP Rating	<b>IP67</b>
Warranty	<b>3 Year Aqualux Warranty</b>
Additional	<b>RGBW Option Available</b> <b>AqualuxPLUS+</b>

## CONFIGURE

Body Options	<b>Satin Chrome</b>	<b>SC</b>	
	<b>Black</b>	<b>BK</b>	
	<b>Antique Brass</b>	<b>AB</b>	
	<b>Gunmetal Grey</b>	<b>GG</b>	
	LED Options	<b>100lms [3000K / 5500K]</b>	<b>X03</b>
	<b>Red / Green / Blue / Amber</b>	<b>R / G / B / A</b>	<b>1.5W</b>
Optic	<b>Diffuse</b>		



Cutout 32~36mm



AQL-205

# Fixed Wall Light

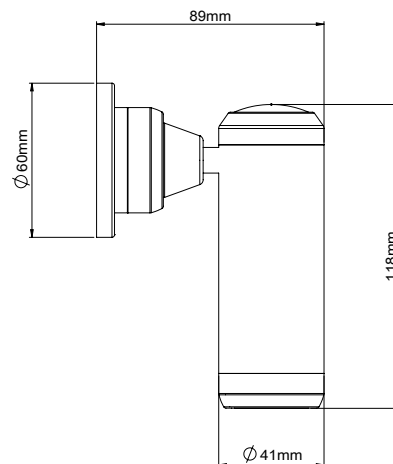


## TECHNICAL

Product Code	<b>AQL-205</b>
Product Family	<b>Lumena</b>
Mounting	<b>Fixed Wall Light</b>
Construction	<b>CNC Machined / Anodised 6061</b>
Electrical	<b>SELV 12 ~ 24V AC / 15 ~ 24V DC</b>
Cable	<b>900mm Aqualux Dual Silicon/PTFE</b>
IP Rating	<b>IP67</b>
Warranty	<b>3 Year Aqualux Warranty</b>
Additional	<b>RGBW Option Available</b>

## CONFIGURE

Body Options	<b>Satin Chrome</b>	<b>SC</b>	
	<b>Black</b>	<b>BK</b>	
	<b>Antique Brass</b>	<b>AB</b>	
	<b>Gunmetal Grey</b>	<b>GG</b>	
LED Options	<b>300lms [3000K/5500K]</b>	<b>X03</b>	<b>3W</b>
	<b>550lms [3000K / 5500K]</b>	<b>X12</b>	<b>6W</b>
	<b>Red / Green / Blue / Amber</b>	<b>R / G / B / A</b>	<b>2.5W</b>
	<b>RGBW</b>	<b>Z</b>	<b>5.0W</b>
Optic	<b>Narrow</b>	<b>10 FWHM</b>	<b>N</b>
	<b>Medium</b>	<b>25 FWHM</b>	<b>M</b>
	<b>Wide</b>	<b>40 FWHM</b>	<b>W</b>



# AQL-215 Adjustable Wall Light

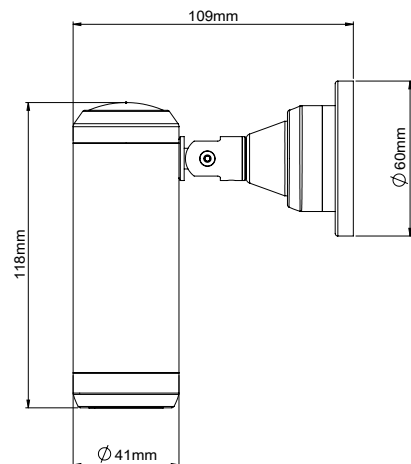


## TECHNICAL

Product Code	<b>AQL-215</b>
Product Family	<b>Lumena</b>
Mounting	<b>Adjustable Wall Light</b>
Construction	<b>CNC Machined / Anodised 6061</b>
Electrical	<b>SELV 12 ~ 24V AC / 15 ~ 24V DC</b>
Cable	<b>900mm Aqualux Dual Silicon/PTFE</b>
IP Rating	<b>IP67</b>
Warranty	<b>3 Year Aqualux Warranty</b>
Additional	<b>RGBW Option Available</b>

## CONFIGURE

Body Options	<b>Satin Chrome</b>	<b>SC</b>	
	<b>Black</b>	<b>BK</b>	
	<b>Antique Brass</b>	<b>AB</b>	
	<b>Gunmetal Grey</b>	<b>GG</b>	
LED Options	<b>300lms [3000K/5500K]</b>	<b>X03</b>	<b>3W</b>
	<b>550lms [3000K / 5500K]</b>	<b>X12</b>	<b>6W</b>
	<b>Red / Green / Blue / Amber</b>	<b>R / G / B / A</b>	<b>2.5W</b>
	<b>RGBW</b>	<b>Z</b>	<b>5.0W</b>
Optic	<b>Narrow</b>	<b>10 FWHM</b>	<b>N</b>
	<b>Medium</b>	<b>25 FWHM</b>	<b>M</b>
	<b>Wide</b>	<b>40 FWHM</b>	<b>W</b>



AQL-220

# Surface Mount Light

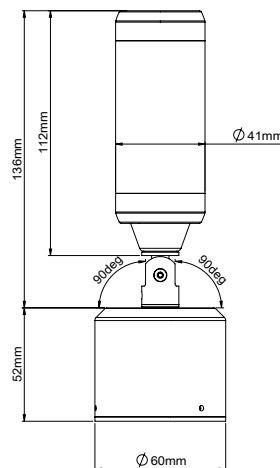


## TECHNICAL

Product Code	<b>AQL-220</b>
Product Family	<b>Lumena</b>
Mounting	<b>Surface Mount Spot</b>
Construction	<b>CNC Machined / Anodised 6061</b>
Electrical	<b>SELV 12 ~ 24V AC / 15 ~ 24V DC</b>
Cable	<b>900mm Aqualux Dual Silicon/PTFE</b>
IP Rating	<b>IP67</b>
Warranty	<b>3 Year Aqualux Warranty</b>
Additional	<b>RGBW Option Available</b>

## CONFIGURE

Body Options	<b>Satin Chrome</b>	<b>SC</b>	
	<b>Black</b>	<b>BK</b>	
	<b>Antique Brass</b>	<b>AB</b>	
	<b>Gunmetal Grey</b>	<b>GG</b>	
LED Options	<b>300lms [3000K/5500K]</b>	<b>X03</b>	<b>3W</b>
	<b>550lms [3000K / 5500K]</b>	<b>X12</b>	<b>6W</b>
	<b>Red / Green / Blue / Amber</b>	<b>R / G / B / A</b>	<b>2.5W</b>
	<b>RGBW</b>	<b>Z</b>	<b>5.0W</b>
Optic	<b>Narrow</b>	<b>10 FWHM</b>	<b>N</b>
	<b>Medium</b>	<b>25 FWHM</b>	<b>M</b>
	<b>Wide</b>	<b>40 FWHM</b>	<b>W</b>



# AQL-305 Up / Down Wall Light

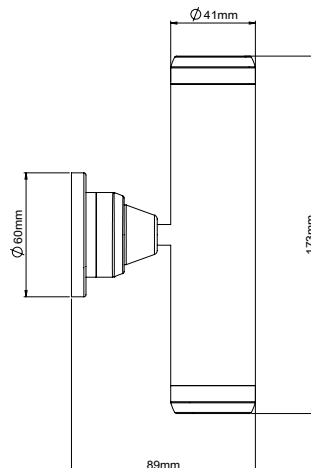


## TECHNICAL

Product Code	<b>AQL-305</b>
Product Family	<b>Lumena</b>
Mounting	<b>Up/Down Wall Light</b>
Construction	<b>CNC Machined / Anodised 6061</b>
Electrical	<b>SELV 12 ~ 24V AC / 15 ~ 24V DC</b>
Cable	<b>900mm Aqualux Dual Silicon/PTFE</b>
IP Rating	<b>IP67</b>
Warranty	<b>3 Year Aqualux Warranty</b>
Additional	<b>RGBW Option Available</b>

## CONFIGURE

Body Options	<b>Satin Chrome</b>	<b>SC</b>	
	<b>Black</b>	<b>BK</b>	
	<b>Antique Brass</b>	<b>AB</b>	
	<b>Gunmetal Grey</b>	<b>GG</b>	
LED Options	<b>300lms [3000K/5500K]</b>	<b>X03</b>	<b>6W (total)</b>
	<b>550lms [3000K / 5500K]</b>	<b>X12</b>	<b>12W (total)</b>
	<b>Red / Green / Blue / Amber</b>	<b>R / G / B / A</b>	<b>2.5W</b>
	<b>RGBW</b>	<b>Z</b>	<b>5.0W</b>
Optic	<b>Narrow</b>	<b>10 FWHM</b>	<b>N</b>
	<b>Medium</b>	<b>25 FWHM</b>	<b>M</b>
	<b>Wide</b>	<b>40 FWHM</b>	<b>W</b>



AQL-306

Up/Down  
Wall Light

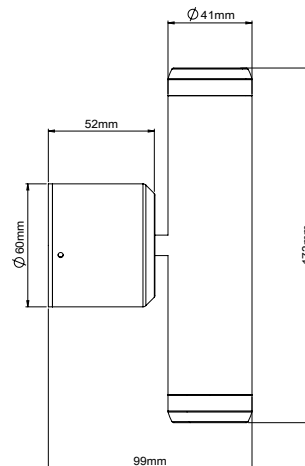


TECHNICAL

Product Code	<b>AQL-306</b>
Product Family	<b>Lumena</b>
Mounting	<b>Up/Down Wall Light</b>
Construction	<b>CNC Machined / Anodised 6061</b>
Electrical	<b>SELV 12 ~ 24V AC / 15 ~ 24V DC</b>
Cable	<b>900mm Aqualux Dual Silicon/PTFE</b>
IP Rating	<b>IP67</b>
Warranty	<b>3 Year Aqualux Warranty</b>
Additional	<b>RGBW Option Available</b>

CONFIGURE

Body Options	<b>Satin Chrome</b>	<b>SC</b>	
	<b>Black</b>	<b>BK</b>	
	<b>Antique Brass</b>	<b>AB</b>	
	<b>Gunmetal Grey</b>	<b>GG</b>	
LED Options	<b>300lms [3000K/5500K]</b>	<b>X03</b>	<b>6W (total)</b>
	<b>550lms [3000K / 5500K]</b>	<b>X12</b>	<b>12W (total)</b>
	<b>Red / Green / Blue / Amber</b>	<b>R / G / B / A</b>	<b>5W (total)</b>
	<b>RGBW</b>	<b>Z</b>	<b>10W (total)</b>
Optic	<b>Narrow</b>	<b>10 FWHM</b>	<b>N</b>
	<b>Medium</b>	<b>25 FWHM</b>	<b>M</b>
	<b>Wide</b>	<b>40 FWHM</b>	<b>W</b>





---

**The Phoenix family is created from solid cast brass and represents some of the most durable, long-lasting landscape luminaires available today.**

**Built for timeless landscapes**

From one of the oldest classes of metals comes some of the newest lighting products available. Phoenix features the latest LED technology and is crafted from 100% solid cast brass, finished in a range of styles to match your next project. Timeless luminaire design for today's landscapes.

# Phoenix

---

Landscape Lighting System









# AQL-503 Spike Spotlight



## TECHNICAL

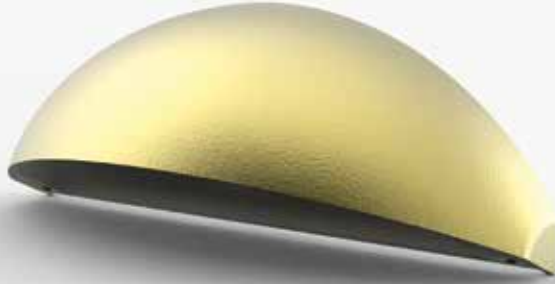
Product Code	<b>AQL-503</b>
Product Family	<b>Phoenix</b>
Mounting	<b>Adjustable Spike Spotlight</b>
Construction	<b>Solid Cast Brass</b>
Electrical	<b>SELV 12 ~ 24V AC / DC or GX5.3 Drop-In</b>
Cable	<b>900mm Aqualux Dual Silicon/PTFE</b>
IP Rating	<b>IP65</b>
Warranty	<b>3 Year Aqualux Warranty</b>
Additional	<b>300mm &amp; 600mm Riser Poles Available</b>

## CONFIGURE

Body Options	<b>Natural Brass</b>	BR	
	<b>Black Powder Coat</b>	BK	
	<b>Nickle Plate</b>	NP	
	<b>Antique Bronze</b>	AB	
LED Options	<b>300lms [3000K / 5500K]</b>	X03	3W
	<b>550lms [3000K / 5500K]</b>	X12	6W
	<b>Red / Green / Blue / Amber</b>	R / G / B / A	2.5W
MR16	<b>GU5.3 Lampholder Option</b>	LED Lamp	-
Optic	<b>Narrow</b>	10 FWHM	N
	<b>Medium</b>	25 FWHM	M
	<b>Wide</b>	40 FWHM	W



# AQL-510 Step Light

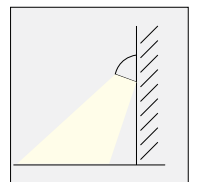
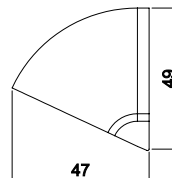
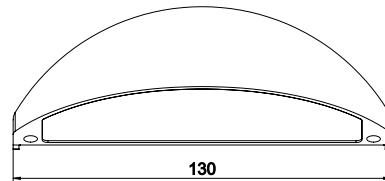


## TECHNICAL

Product Code	<b>AQL-510</b>
Product Family	<b>Phoenix</b>
Mounting	<b>Wall / Surface Mount</b>
Construction	<b>Solid Cast Brass</b>
Electrical	<b>SELV 12 ~ 24V AC / DC</b>
Cable	<b>900mm Aqualux Dual Silicon/PTFE</b>
IP Rating	<b>IP66</b>
Warranty	<b>3 Year Aqualux Warranty</b>
Additional	<b>IP67 Resin Filled Option</b>

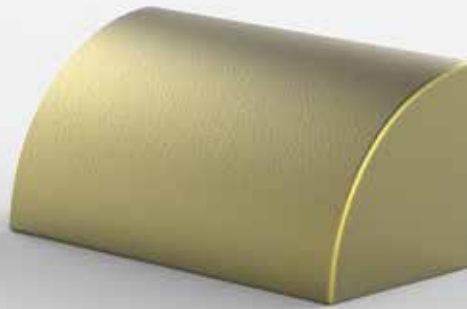
## CONFIGURE

Body Options	<b>Natural Brass</b>	<b>BR</b>	
	<b>Black Powder Coat</b>	<b>BK</b>	
	<b>Brushed Chrome</b>	<b>BC</b>	
	<b>Brushed Copper</b>	<b>CP</b>	
	<b>Antique Bronze</b>	<b>AB</b>	
LED Options	<b>250lms [3000K]</b>	<b>X06</b>	<b>6W</b>
Optic	<b>Clear</b>		
	<b>Frosted</b>		



AQL-520

# Step Light

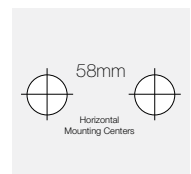
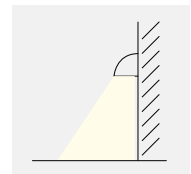
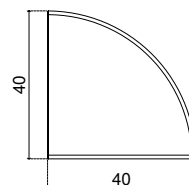


## TECHNICAL

Product Code	<b>AQL-520</b>
Product Family	<b>Phoenix</b>
Mounting	<b>Wall / Surface Mount</b>
Construction	<b>Solid Cast Brass</b>
Electrical	<b>SELV 12 ~ 24V AC / DC</b>
Cable	<b>900mm Aqualux Dual Silicon/PTFE</b>
IP Rating	<b>IP66</b>
Warranty	<b>3 Year Aqualux Warranty</b>
Additional	<b>IP67 Resin Filled Option</b>

## CONFIGURE

Body Options	<b>Natural Brass</b>	<b>BR</b>	
	<b>Black Powder Coat</b>	<b>BK</b>	
	<b>Brushed Chrome</b>	<b>BC</b>	
	<b>Brushed Copper</b>	<b>CP</b>	
	<b>Antique Bronze</b>	<b>AB</b>	
LED Options	<b>250lms [3000K]</b>	<b>X06</b>	<b>6W</b>
Optic	<b>Clear</b>		
	<b>Frosted</b>		



# AQL-530 Uplight

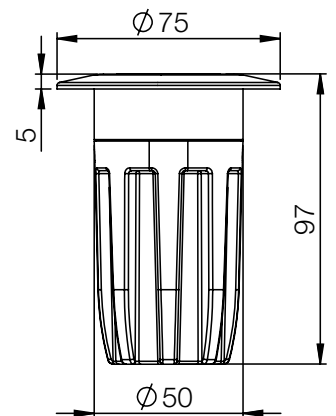


## TECHNICAL

Product Code	<b>AQL-530</b>
Product Family	<b>Phoenix</b>
Mounting	<b>Inground / Recessed Uplight</b>
Construction	<b>Solid Cast Brass</b>
Electrical	<b>SELV 12 ~ 24V AC / DC or GU5.3 Drop-In</b>
Cable	<b>900mm Aqualux Dual Silicon / PTFE</b>
IP Rating	<b>IP68</b>
Warranty	<b>3 Year Aqualux Warranty</b>
Additional	<b>RGBW Option Available</b>

## CONFIGURE

Body Options	<b>Natural Brass</b>	<b>BR</b>	
	<b>Black Powder Coat</b>	<b>BK</b>	
	<b>Brushed Chrome</b>	<b>BC</b>	
	<b>Brushed Copper</b>	<b>CP</b>	
	<b>Antique Bronze</b>	<b>AB</b>	
	LED Options	<b>300lms [3000K / 5500K]</b>	<b>X03</b>
<b>550lms [3000K / 5500K]</b>		<b>X12</b>	<b>6W</b>
<b>Red / Green / Blue / Amber</b>		<b>R / G / B / A</b>	<b>2.5W</b>
<b>RGBW</b>		<b>Z</b>	<b>4.0W</b>
Optic	<b>Narrow</b>	<b>10 FWHM</b>	<b>N</b>
	<b>Medium</b>	<b>25 FWHM</b>	<b>M</b>



# AQL-540 Pond Light

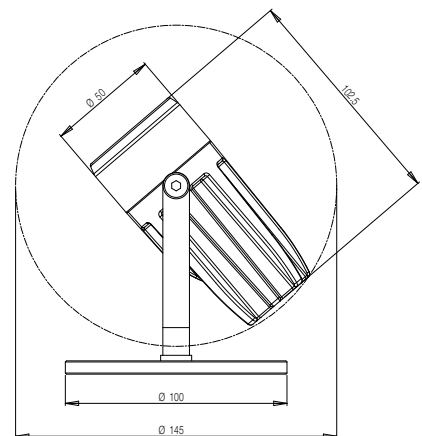


## TECHNICAL

Product Code	<b>AQL-540</b>
Product Family	<b>Phoenix</b>
Mounting	<b>Surface Mount Spot Light</b>
Construction	<b>Solid Cast Brass</b>
Electrical	<b>SELV 12 ~ 24V AC / DC</b>
Cable	<b>900mm Aqualux Dual Silicon/PTFE</b>
IP Rating	<b>IP68</b>
Warranty	<b>3 Year Aqualux Warranty</b>
Additional	<b>RGBW Option Available</b>

## CONFIGURE

Body Options	<b>Natural Brass</b>	<b>BR</b>	
	<b>Black Powder Coat</b>	<b>BK</b>	
	<b>Nickle Plate</b>	<b>NP</b>	
	<b>Antique Bronze</b>	<b>AB</b>	
LED Options	<b>300lms [3000K / 5500K]</b>	<b>X03</b>	<b>3W</b>
	<b>550lms [3000K / 5500K]</b>	<b>X12</b>	<b>6W</b>
	<b>Red / Green / Blue / Amber</b>	<b>R / G / B / A</b>	<b>2.5W</b>
	<b>RGBW</b>	<b>Z</b>	<b>4.0W</b>
Optic	<b>Narrow</b>	<b>10 FWHM</b>	<b>N</b>
	<b>Medium</b>	<b>25 FWHM</b>	<b>M</b>
	<b>Wide</b>	<b>40 FWHM</b>	<b>W</b>



AQL-565

# Runway Light / 180°



PRELIMINARY - AVAILABLE 2H 2017

## TECHNICAL

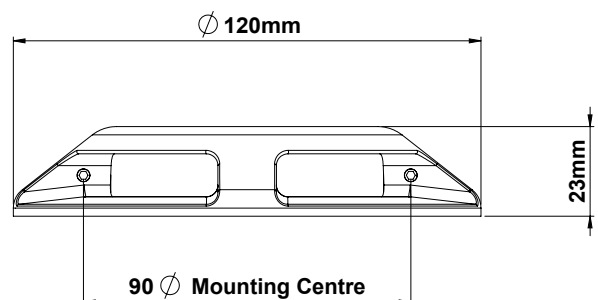
Product Code	<b>AQL-565</b>
Product Family	<b>Phoenix</b>
Mounting	<b>Hidden mounting plate</b>
Construction	<b>Solid Cast Brass</b>
Electrical	<b>SELV 12 ~ 24V AC / DC</b>
Cable	<b>900mm Aqualux Dual Silicon/PTFE</b>
IP Rating	<b>IP67</b>
Warranty	<b>3 Year Aqualux Warranty</b>
Additional	<b>AqualuxPLUS Option</b>

## CONFIGURE

Body Options	<b>Natural Brass</b>	<b>BR</b>	
	<b>Black Powder Coat</b>	<b>BK</b>	
	<b>Nickle Plate</b>	<b>NP</b>	
	<b>Antique Bronze</b>	<b>AB</b>	
LED Options	<b>300lms [3000K / 5500K]</b>	<b>X03</b>	<b>6W</b>
	<b>Red / Green / Blue / Amber</b>	<b>R / G / B / A</b>	<b>4W</b>
Optic	<b>Diffuse</b>	<b>-</b>	<b>D</b>
	<b>Medium</b>	<b>25 FWHM</b>	<b>M</b>

## FEATURES

- Low profile 23mm
- No core hole required, cable entry only.
- High-output up to 300lms
- Optical Options Narrow / Diffuse
- Wide range of finishes available
- Hidden mounting system
- Suitable for high traffic / drive-over areas
- Surface Mount (no recess required)
- IP67 / IK-rating pending.





# AQL-580 Path Light



PRELIMINARY - AVAILABLE 2H 2017

## TECHNICAL

Product Code	<b>AQL-580</b>
Product Family	<b>Phoenix</b>
Mounting	<b>Spike or Surface Mount</b>
Construction	<b>Solid Cast Brass</b>
Electrical	<b>SELV 12 ~ 24V AC / DC</b>
Cable	<b>900mm Aqualux Dual Silicon/PTFE</b>
IP Rating	<b>IP67</b>
Warranty	<b>3 Year Aqualux Warranty</b>
	<b>RGBW Option Available</b>
Additional	<b>AqualuxPLUS Option</b>

## CONFIGURE

Body Options	<b>Natural Brass</b>	<b>BR</b>	
	<b>Black Powder Coat</b>	<b>BK</b>	
	<b>Nickle Plate</b>	<b>NP</b>	
	<b>Antique Bronze</b>	<b>AB</b>	
LED Options	<b>300lms [3000K / 5500K]</b>	<b>X03</b>	<b>3W</b>
	<b>550lms [3000K / 5500K]</b>	<b>X12</b>	<b>6W</b>
	<b>Red / Green / Blue / Amber</b>	<b>R / G / B / A</b>	<b>2.5W</b>
	<b>RGBW</b>	<b>Z</b>	<b>4.0W</b>
Optic	<b>Narrow</b>	<b>10 FWHM</b>	<b>N</b>
	<b>Medium</b>	<b>25 FWHM</b>	<b>M</b>
	<b>Wide</b>	<b>40 FWHM</b>	<b>W</b>
	<b>Cutoff / Asymmetric</b>	<b>-</b>	<b>A</b>









---

Available in either premium ElectroPolished 316 Stainless Steel or solid aged Brass, the Artisan range is the ultimate in landscape luminaire quality.

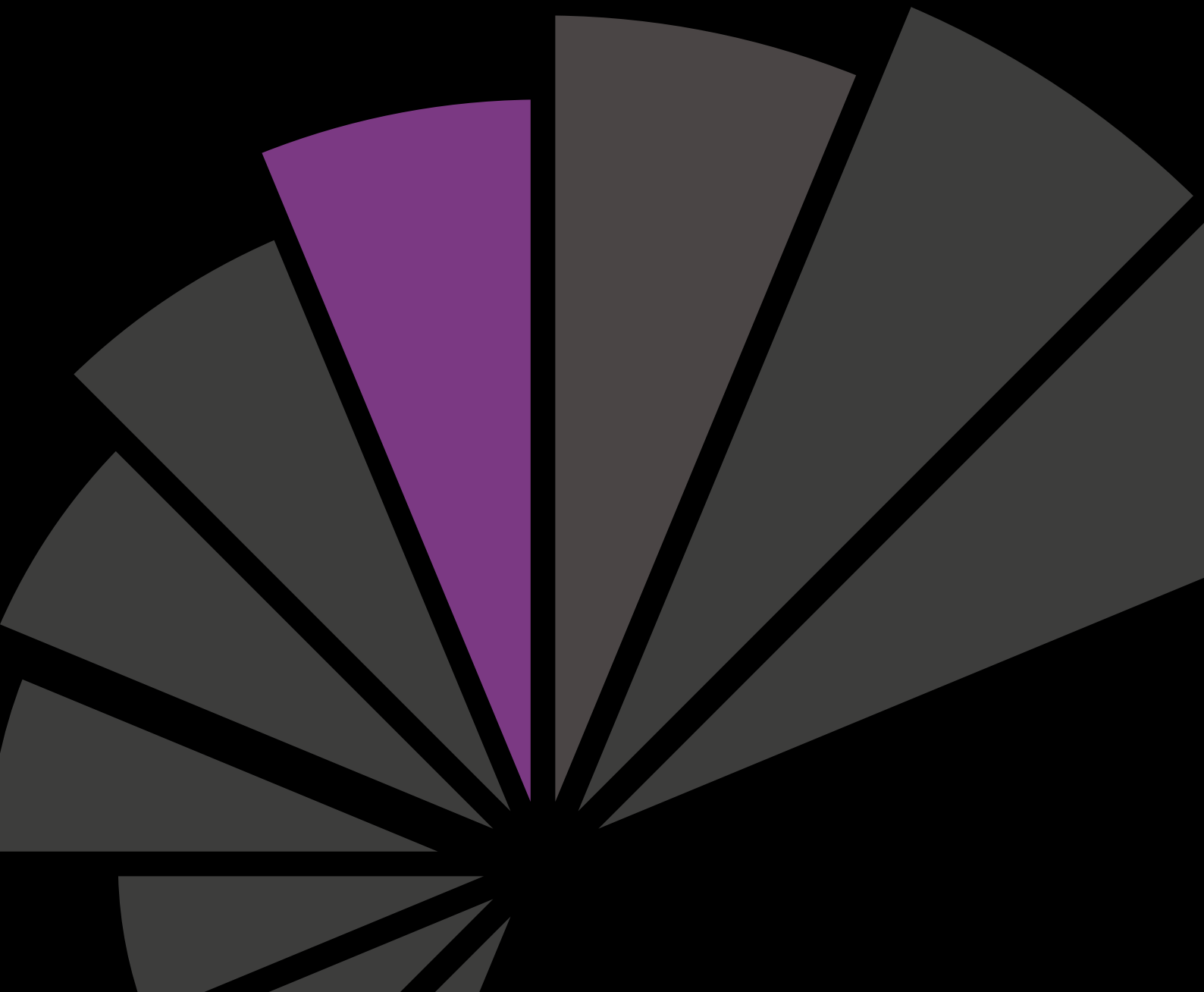
Built 100% in Sydney, Australia, the selection of fittings in the Artisan range follow a simple design philosophy that is both timeless and contemporary. These luminaires are built to withstand the Australian conditions and to last for many years.



# Artisan

---

Landscape Lighting System



AQA-101-BR

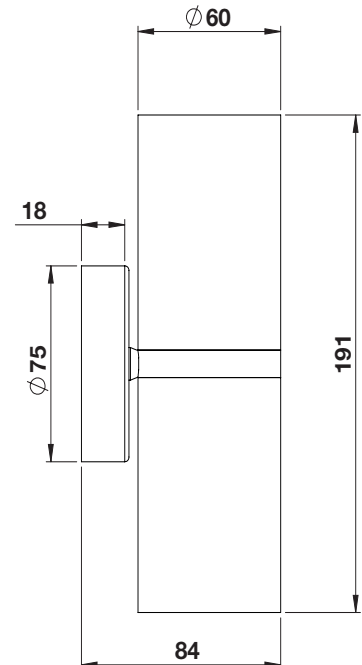
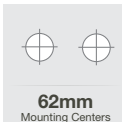
# Wall Light Aged Brass



## TECHNICAL

PRODUCT CODE	AQA-101-BR
PRODUCT FAMILY	Artisan
MOUNTING	Up / Down Wall Light
CONSTRUCTION	Solid Aged Brass
ELECTRICAL	12 ~ 24V AC / DC MultiSource Driver GU5.3 SELV Drop-In Lamp
CABLE	600mm Aqualux 2-Core Dual Silicon / PTFE
IP RATING	IP65
WARRANTY	10-Year Artisan Warranty

## CONFIGURE



# AQA-101-SS

## Wall Light

### Stainless

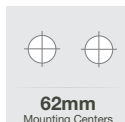
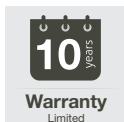
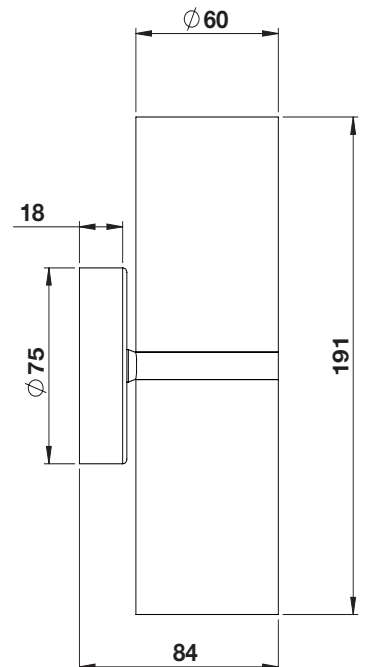


## TECHNICAL

PRODUCT CODE	AQA-101-SS
PRODUCT FAMILY	Artisan
MOUNTING	Up / Down Wall Light
CONSTRUCTION	Solid ElectroPolished Stainless Steel 316
ELECTRICAL	12 ~ 24V AC / DC MultiSource Driver GU5.3 SELV Drop-In Lamp
CABLE	600mm Aqualux 2-Core Dual Silicon / PTFE
IP RATING	IP65
WARRANTY	10-Year Artisan Warranty

## CONFIGURE

LED	X12: CREE XHP35	3000K / 5500K	550 lms	6W
	Narrow	10°	FWHM	
	Medium	25°	FWHM	
OPTIC	Wide	40°	FWHM	
LAMP	GU5.3 SELV	LED Drop-in		





AQA-102-BR

# Fixed Wall Light Aged Brass

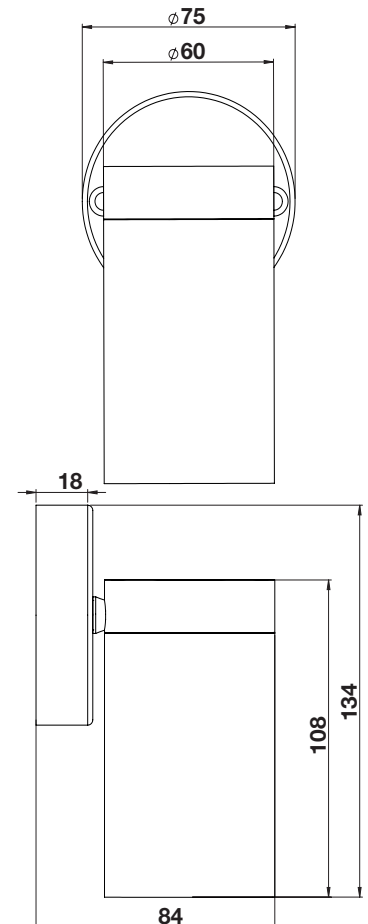


## TECHNICAL

PRODUCT CODE	AQA-102-BR
PRODUCT FAMILY	Artisan
MOUNTING	Single Fixed Wall Light
CONSTRUCTION	Solid Aged Brass
ELECTRICAL	12 ~ 24V AC / DC MultiSource Driver GU5.3 SELV
CABLE	600mm Aqualux 2-Core Dual Silicon / PTFE
IP RATING	IP65
WARRANTY	10-Year Artisan Warranty

## CONFIGURE

LED	X12: CREE XHP35	3000K / 5500K	550 lms	6W
	Narrow	10°	FWHM	
	Medium	25°	FWHM	
	Wide	40°	FWHM	
OPTIC	Wide	40°	FWHM	
LAMP	GU5.3 SELV	LED Drop-in		



AQA-102-SS

# Fixed Wall Light Stainless

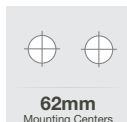
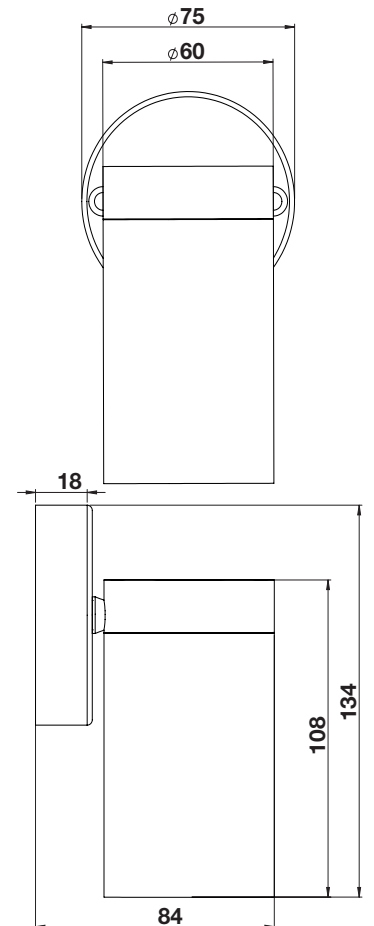


## TECHNICAL

PRODUCT CODE	AQA-102-SS
PRODUCT FAMILY	Artisan
MOUNTING	Single Fixed Wall Light
CONSTRUCTION	Solid ElectroPolished Stainless Steel 316
ELECTRICAL	12 ~ 24V AC / DC MultiSource Driver GU5.3 SELV
CABLE	600mm Aqualux 2-Core Dual Silicon / PTFE
IP RATING	IP65
WARRANTY	10-Year Artisan Warranty

## CONFIGURE

LED	X12: CREE XHP35	3000K / 5500K	550 lms	6W
	Narrow	10°	FWHM	
	Medium	25°	FWHM	
	Wide	40°	FWHM	
OPTIC	Wide	40°	FWHM	
LAMP	GU5.3 SELV	LED Drop-in		



AQA-103-BR

# Adjustable Wall Light Aged Brass

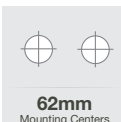
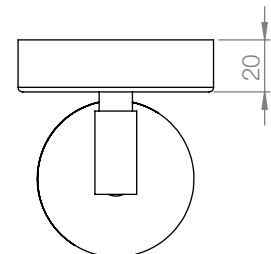
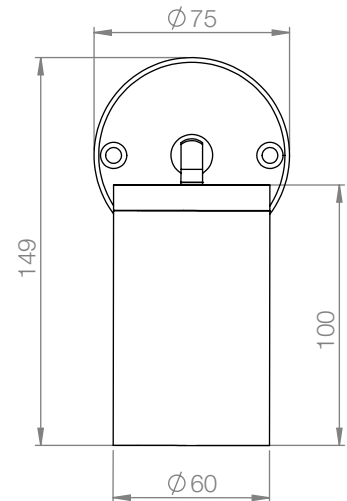


## TECHNICAL

PRODUCT CODE	AQA-103-BR
PRODUCT FAMILY	Artisan
MOUNTING	Single Adjustable Wall Light
CONSTRUCTION	Solid Aged Brass
ELECTRICAL	12 ~ 24V AC / DC MultiSource Driver GU5.3 SELV
CABLE	600mm Aqualux 2-Core Dual Silicon / PTFE
IP RATING	IP65
WARRANTY	10-Year Artisan Warranty

## CONFIGURE

LED	X12: CREE XHP35	3000K / 5500K	550 lms	6W
	Narrow	10°	FWHM	
	Medium	25°	FWHM	
	Wide	40°	FWHM	
OPTIC	Wide	40°	FWHM	
LAMP	GU5.3 SELV	LED Drop-in		



AQA-103-SS

# Adjustable Wall Light Stainless

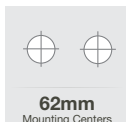
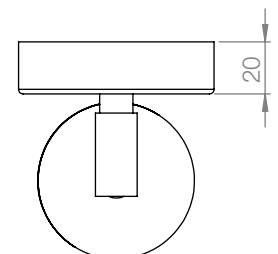
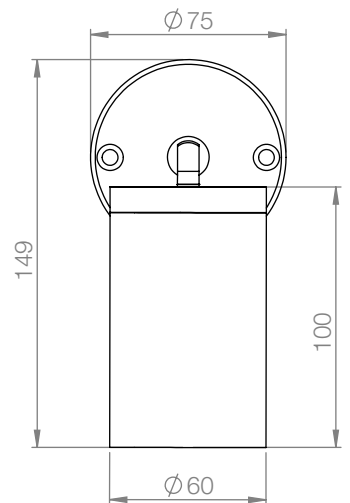


## TECHNICAL

PRODUCT CODE	AQA-103-SS
PRODUCT FAMILY	Artisan
MOUNTING	Single Adjustable Wall Light
CONSTRUCTION	Solid ElectroPolished Stainless Steel 316
ELECTRICAL	12 ~ 24V AC / DC MultiSource Driver GU5.3 SELV
CABLE	600mm Aqualux 2-Core Dual Silicon / PTFE
IP RATING	IP65
WARRANTY	10-Year Artisan Warranty

## CONFIGURE

LED	X12: CREE XHP35	3000K / 5500K	550 lms	6W
	Narrow	10°	FWHM	
	Medium	25°	FWHM	
OPTIC	Wide	40°	FWHM	
LAMP	GU5.3 SELV	LED Drop-in		



AQA-104-BR

# Twin Wall Light Aged Brass

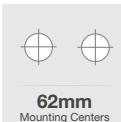
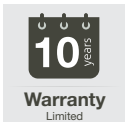
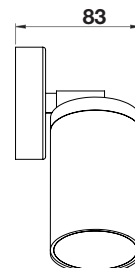
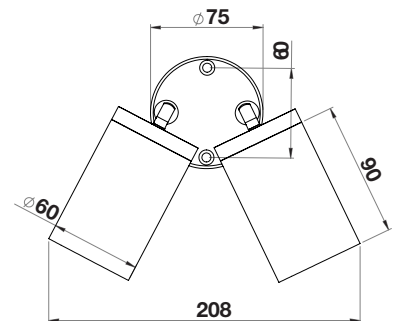


## TECHNICAL

PRODUCT CODE	AQA-104-BR
PRODUCT FAMILY	Artisan
MOUNTING	Twin ADjustable Wall Light
CONSTRUCTION	Solid Aged Brass
ELECTRICAL	12 ~ 24V AC / DC MultiSource Driver GU5.3 SELV
CABLE	600mm Aqualux 2-Core Dual Silicon / PTFE
IP RATING	IP65
WARRANTY	10-Year Artisan Warranty

## CONFIGURE

LED	X12: CREE XHP35	3000K / 5500K	550 lms	6W
	Narrow	10°	FWHM	
	Medium	25°	FWHM	
	Wide	40°	FWHM	
OPTIC	Wide	40°	FWHM	
LAMP	GU5.3 SELV	LED Drop-in		



# AQA-104-SS

## Twin Wall Light

### Stainless

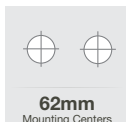
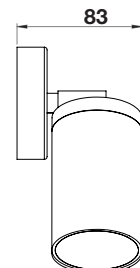
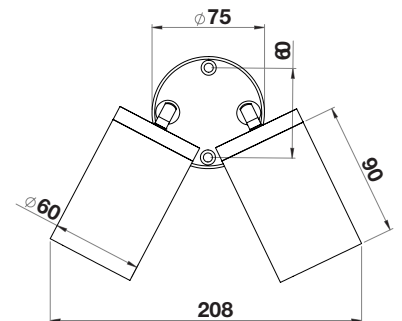


### TECHNICAL

PRODUCT CODE	AQA-104-SS
PRODUCT FAMILY	Artisan
MOUNTING	Twin ADjustable Wall Light
CONSTRUCTION	Solid ElectroPolished Stainless Steel 316
ELECTRICAL	12 ~ 24V AC / DC MultiSource Driver GU5.3 SELV
CABLE	600mm Aqualux 2-Core Dual Silicon / PTFE
IP RATING	IP65
WARRANTY	10-Year Artisan Warranty

### CONFIGURE

LED	X12: CREE XHP35	3000K / 5500K	550 lms	6W
	Narrow	10°	FWHM	
	Medium	25°	FWHM	
OPTIC	Wide	40°	FWHM	
LAMP	GU5.3 SELV	LED Drop-in		



AQA-106-BR

# Spike Spotlight Aged Brass

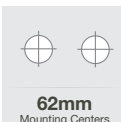
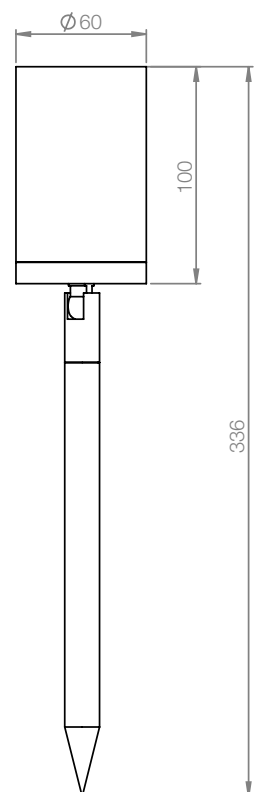


## TECHNICAL

PRODUCT CODE	AQA-106-BR
PRODUCT FAMILY	Artisan
MOUNTING	Adjustable Spike Spotlight
CONSTRUCTION	Solid Aged Brass
ELECTRICAL	12 ~ 24V AC / DC MultiSource Driver GU5.3 SELV
CABLE	600mm Aqualux 2-Core Dual Silicon / PTFE
IP RATING	IP65
WARRANTY	10-Year Artisan Warranty

## CONFIGURE

LED	X12: CREE XHP35	3000K / 5500K	550 lms	6W
	Narrow	10°	FWHM	
	Medium	25°	FWHM	
	Wide	40°	FWHM	
OPTIC	Wide	40°	FWHM	
LAMP	GU5.3 SELV	LED Drop-in		



# AQA-106-SS

## Spike Spotlight

### Stainless

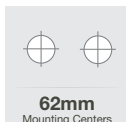
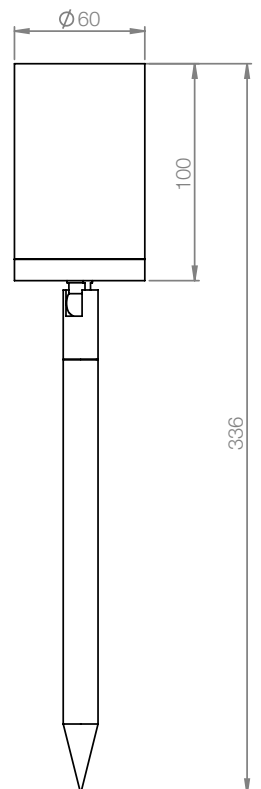


### TECHNICAL

PRODUCT CODE	AQA-106-SS
PRODUCT FAMILY	Artisan
MOUNTING	Adjustable Spike Spotlight
CONSTRUCTION	Solid ElectroPolished Stainless Steel 316
ELECTRICAL	12 ~ 24V AC / DC MultiSource Driver GU5.3 SELV
CABLE	600mm Aqualux 2-Core Dual Silicon / PTFE
IP RATING	IP65
WARRANTY	10-Year Artisan Warranty

### CONFIGURE

LED	X12: CREE XHP35	3000K / 5500K	550 lms	6W
	Narrow	10°	FWHM	
	Medium	25°	FWHM	
OPTIC	Wide	40°	FWHM	
LAMP	GU5.3 SELV	LED Drop-in		





---

The Hydra range is constructed around the best-selling ASL-01-BR spot light. Built using solid cast, aged brass, the Hydra family of outdoor luminaires is a rock-solid platform for creating a dependable and long-lasting landscape lighting solution.

Utilise our class-leading LED lamps for the ultimate in performance and design creativity, allowing you and your clients to develop the perfect landscape lighting project.

# Hydra

---

Landscape Lighting System







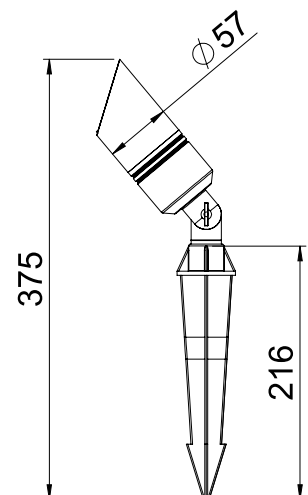
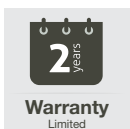
ASL-01-BR

# Spike Spotlight



## TECHNICAL

Product Codes	<b>ASL-01-BR</b>
Description	<b>Spike Uplight</b>
Product Family	<b>Hydra</b>
Mounting	<b>Spike</b>
Construction	<b>Solid Cast &amp; CNC Machined Brass</b> <b>Pre-Aged</b>
Electrical	<b>GX5.3 MR16 Lamp</b>
Cable	<b>500mm Twin Lead</b>
IP Rating	<b>IP65</b>
Warranty	<b>Aqualux 2-Year Limited Warranty</b>
Additional	<b>Use with AGL-250/550 LED Lamps</b>



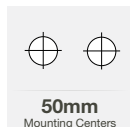
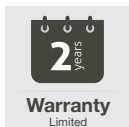
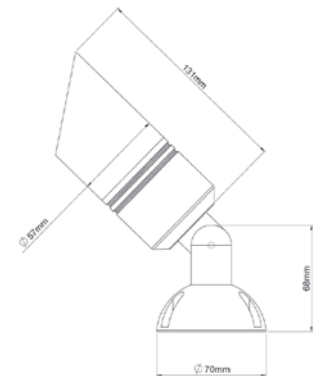
ASL-01-BR-SM

# Adjustable Surface Light



## TECHNICAL

Product Codes	<b>ASL-01-BR-SM</b>
Description	<b>Adjustable Surface Mount Spotlight</b>
Product Family	<b>Hydra</b>
Mounting	<b>Surface</b>
Construction	<b>Solid Cast &amp; CNC Machined Brass</b> <b>Pre-Aged</b>
Electrical	<b>GX5.3 MR16 Lamp</b>
Cable	<b>500mm Twin Lead</b>
IP Rating	<b>IP65</b>
Warranty	<b>Aqualux 2-Year Limited Warranty</b>
Additional	<b>Use with AGL-250/550 LED Lamps</b>



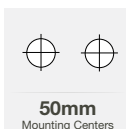
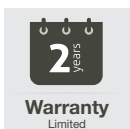
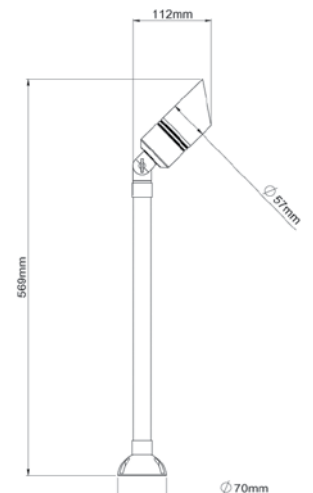
ASL-01-BR-SMS38

# Adjustable Surface Uplight



## TECHNICAL

Product Codes	<b>ASL-01-BR-SMS38</b>
Description	<b>Adjustable Surface Mount Spotlight 38CM</b>
Product Family	<b>Hydra</b>
Mounting	<b>Surface</b>
Construction	<b>Solid Cast &amp; CNC Machined Brass</b> <b>Pre-Aged</b>
Electrical	<b>GX5.3 MR16 Lamp</b>
Cable	<b>500mm Twin Lead</b>
IP Rating	<b>IP65</b>
Warranty	<b>Aqualux 2-Year Limited Warranty</b>
Additional	<b>Use with AGL-250/550 LED Lamps</b>



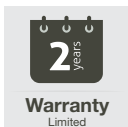
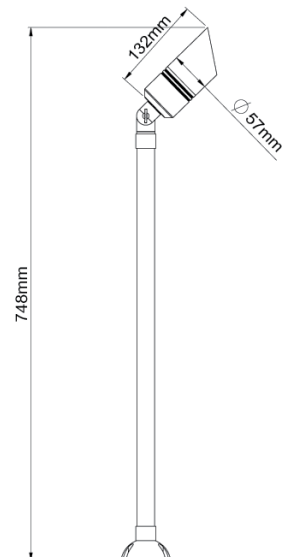
ASL-01-BR-SMS60

# Adjustable Surface Uplight



## TECHNICAL

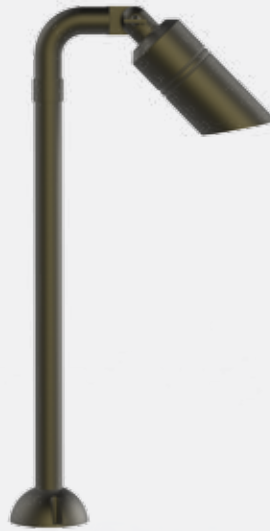
Product Codes	<b>ASL-01-BR-SMS60</b>	
Description	<b>Adjustable Surface Mount Spotlight 60CM</b>	
Product Family	<b>Hydra</b>	
Mounting	<b>Surface</b>	
Construction	<b>Solid Cast &amp; CNC Machined Brass</b>	<b>Pre-Aged</b>
Electrical	<b>GX5.3 MR16 Lamp</b>	
Cable	<b>500mm Twin Lead</b>	
IP Rating	<b>IP65</b>	
Warranty	<b>Aqualux 2-Year Limited Warranty</b>	
Additional	<b>Use with AGL-250/550 LED Lamps</b>	





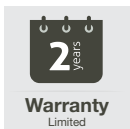
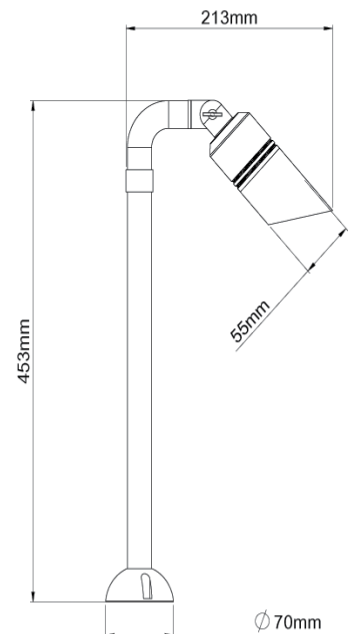
ASL-01-BR-SMS38EL

# Adjustable Pathlight



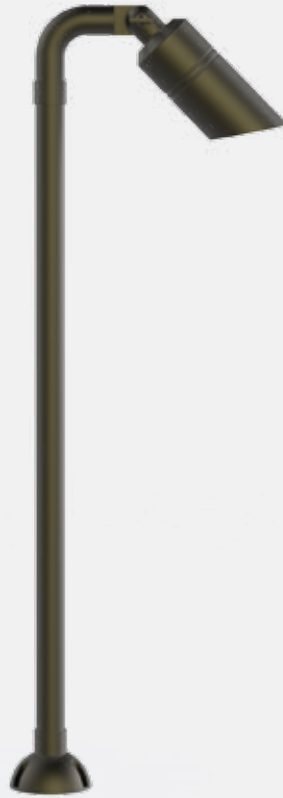
## TECHNICAL

Product Codes	<b>ASL-01-BR-SMS38EL</b>
Description	<b>Surface Mount Pathlight 38CM</b>
Product Family	<b>Hydra</b>
Mounting	<b>Surface</b>
Construction	<b>Solid Cast &amp; CNC Machined Brass</b> <b>Pre-Aged</b>
Electrical	<b>GX5.3 MR16 Lamp</b>
Cable	<b>500mm Twin Lead</b>
IP Rating	<b>IP65</b>
Warranty	<b>Aqualux 2-Year Limited Warranty</b>
Additional	<b>Use with AGL-250/550 LED Lamps</b>



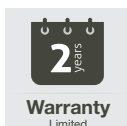
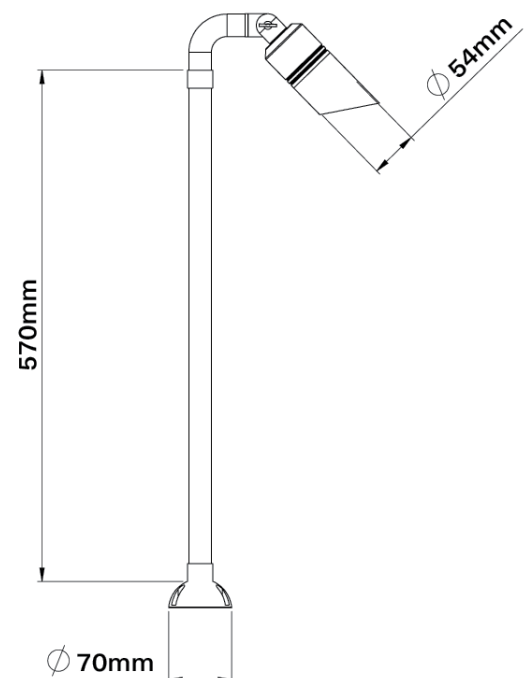
ASL-01-BR-SMS60EL

# Adjustable Pathlight



## TECHNICAL

Product Codes	<b>ASL-01-BR-SMS60EL</b>	
Description	<b>Surface Mount Pathlight 60CM</b>	
Product Family	<b>Hydra</b>	
Mounting	<b>Surface</b>	
Construction	<b>Solid Cast &amp; CNC Machined Brass</b>	<b>Pre-Aged</b>
Electrical	<b>GX5.3 MR16 Lamp</b>	
Cable	<b>500mm Twin Lead</b>	
IP Rating	<b>IP65</b>	
Warranty	<b>Aqualux 2-Year Limited Warranty</b>	
Additional	<b>Use with AGL-250/550 LED Lamps</b>	



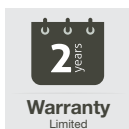
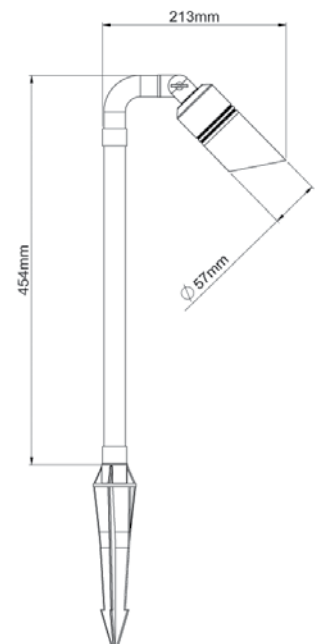
ASL-01-BR-SPS38EL

# Adjustable Spike Pathlight



## TECHNICAL

Product Codes	<b>ASL-01-BR-SPS38EL</b>
Description	<b>Spike Pathlight 38CM</b>
Product Family	<b>Hydra</b>
Mounting	<b>Spike</b>
Construction	<b>Solid Cast &amp; CNC Machined Brass</b> <b>Pre-Aged</b>
Electrical	<b>GX5.3 MR16 Lamp</b>
Cable	<b>500mm Twin Lead</b>
IP Rating	<b>IP65</b>
Warranty	<b>Aqualux 2-Year Limited Warranty</b>
Additional	<b>Use with AGL-250/550 LED Lamps</b>



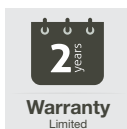
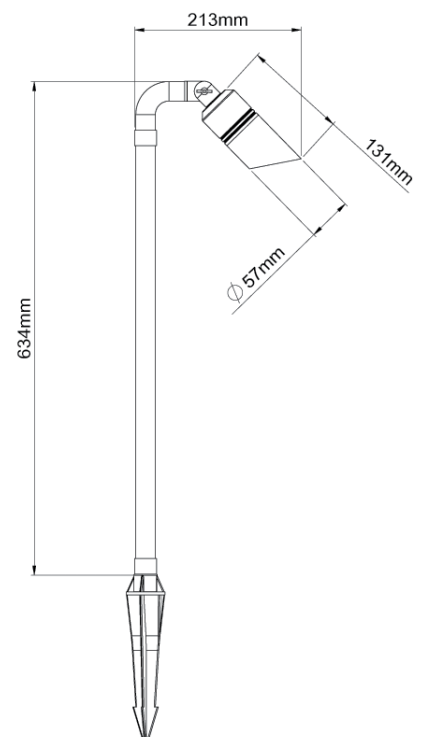
ASL-01-BR-SPS60EL

# Adjustable Spike Pathlight



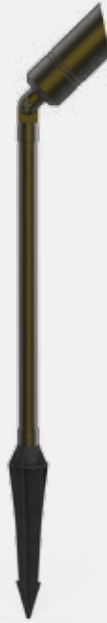
## TECHNICAL

Product Codes	<b>ASL-01-BR-SPS60EL</b>	
Description	<b>Spike Pathlight 60CM</b>	
Product Family	<b>Hydra</b>	
Mounting	<b>Spike</b>	
Construction	<b>Solid Cast &amp; CNC Machined Brass</b>	<b>Pre-Aged</b>
Electrical	<b>GX5.3 MR16 Lamp</b>	
Cable	<b>500mm Twin Lead</b>	
IP Rating	<b>IP65</b>	
Warranty	<b>Aqualux 2-Year Limited Warranty</b>	
Additional	<b>Use with AGL-250/550 LED Lamps</b>	



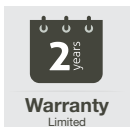
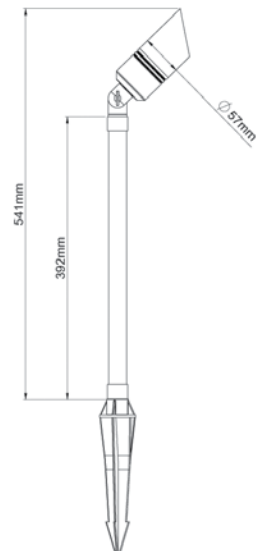
ASL-01-BR-SPS38

# Adjustable Spike Spotlight 380mm



## TECHNICAL

Product Codes	<b>ASL-01-BR-SPS38</b>
Description	<b>Spike Uplight 38CM</b>
Product Family	<b>Hydra</b>
Mounting	<b>Spike</b>
Construction	<b>Solid Cast &amp; CNC Machined Brass</b> <b>Pre-Aged</b>
Electrical	<b>GX5.3 MR16 Lamp</b>
Cable	<b>500mm Twin Lead</b>
IP Rating	<b>IP65</b>
Warranty	<b>Aqualux 2-Year Limited Warranty</b>
Additional	<b>Use with AGL-250/550 LED Lamps</b>



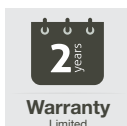
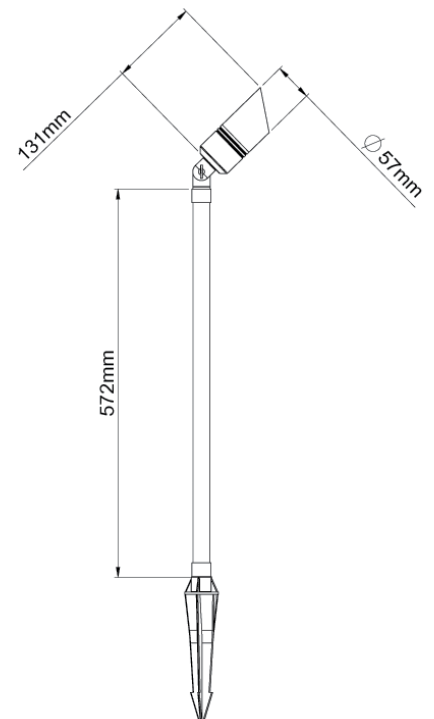
ASL-01-BR-SPS60

# Adjustable Spike Spotlight 600mm



## TECHNICAL

Product Codes	<b>ASL-01-BR-SPS60</b>	
Description	<b>Spike Uplight 60CM</b>	
Product Family	<b>Hydra</b>	
Mounting	<b>Spike</b>	
Construction	<b>Solid Cast &amp; CNC Machined Brass</b>	<b>Pre-Aged</b>
Electrical	<b>GX5.3 MR16 Lamp</b>	
Cable	<b>500mm Twin Lead</b>	
IP Rating	<b>IP65</b>	
Warranty	<b>Aqualux 2-Year Limited Warranty</b>	
Additional	<b>Use with AGL-250/550 LED Lamps</b>	



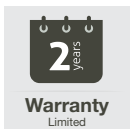
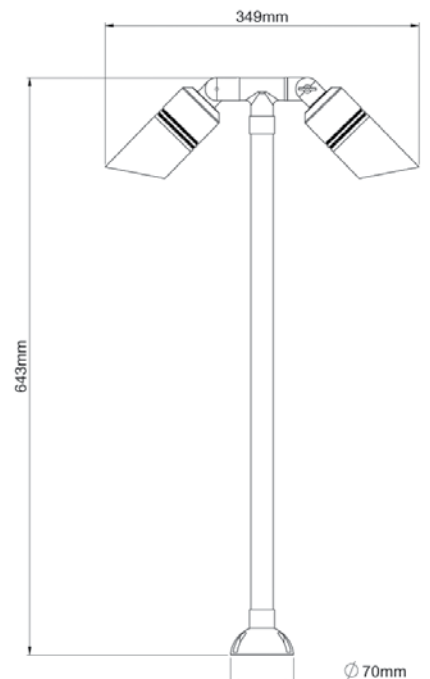
ASL-01-BR-SMT60

# Twin Adjustable Surface Pathlight



## TECHNICAL

Product Codes	<b>ASL-01-BR-SMT60</b>
Description	<b>Surface Mount Twin Pathlight</b>
Product Family	<b>Hydra</b>
Mounting	<b>Surface</b>
Construction	<b>Solid Cast &amp; CNC Machined Brass</b> <b>Pre-Aged</b>
Electrical	<b>GX5.3 MR16 Lamp</b>
Cable	<b>500mm Twin Lead</b>
IP Rating	<b>IP65</b>
Warranty	<b>Aqualux 2-Year Limited Warranty</b>
Additional	<b>Use with AGL-250/550 LED Lamps</b>



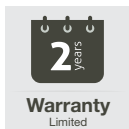
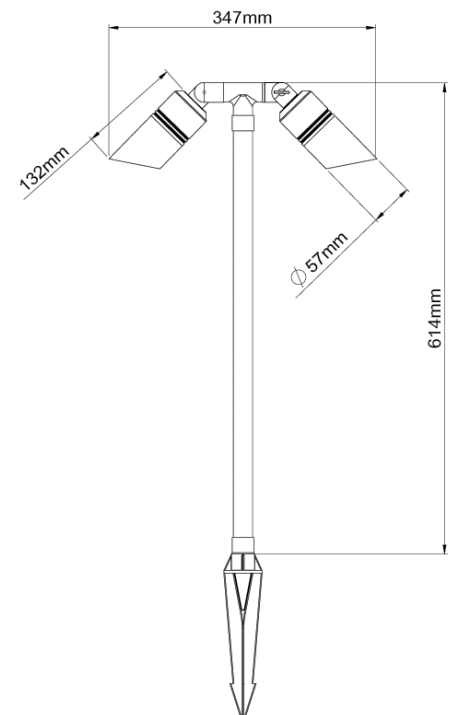
ASL-01-BR-SPT60

# Twin Adjustable Spike Pathlight Wall Light



## TECHNICAL

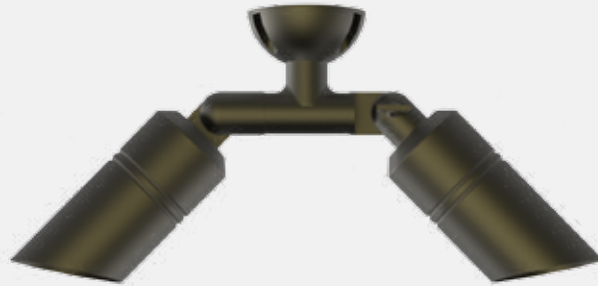
Product Codes	<b>ASL-01-BR-SPT60</b>	
Description	<b>Twin Spike Pathlight</b>	
Product Family	<b>Hydra</b>	
Mounting	<b>Spike</b>	
Construction	<b>Solid Cast &amp; CNC Machined Brass</b>	<b>Pre-Aged</b>
Electrical	<b>GX5.3 MR16 Lamp</b>	
Cable	<b>500mm Twin Lead</b>	
IP Rating	<b>IP65</b>	
Warranty	<b>Aqualux 2-Year Limited Warranty</b>	
Additional	<b>Use with AGL-250/550 LED Lamps</b>	





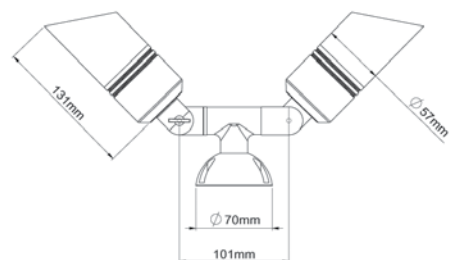
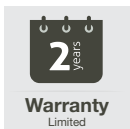
ASL-01-BR-SMT

# Twin Adjustable Surface Light



## TECHNICAL

Product Codes	<b>ASL-01-BR-SMT</b>
Description	<b>Twin Surface Mount Light</b>
Product Family	<b>Hydra</b>
Mounting	<b>Surface</b>
Construction	<b>Solid Cast &amp; CNC Machined Brass</b> <b>Pre-Aged</b>
Electrical	<b>GX5.3 MR16 Lamp</b>
Cable	<b>500mm Twin Lead</b>
IP Rating	<b>IP65</b>
Warranty	<b>Aqualux 2-Year Limited Warranty</b>
Additional	<b>Use with AGL-250/550 LED Lamps</b>

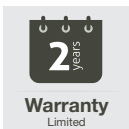
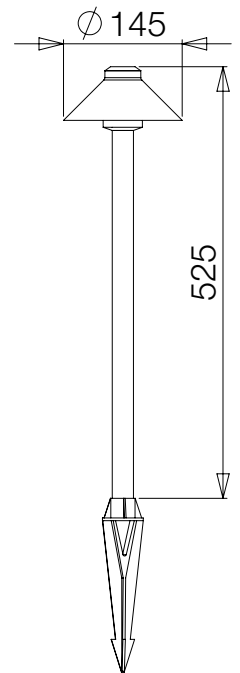


# ABL-01-BR-LED Pathlight



## TECHNICAL

Product Codes	<b>ABL-01-BR-LED</b>	
Product Family	<b>Hydra</b>	
Mounting	<b>Spiked Bollard</b>	
Construction	<b>Solid Cast Brass</b>	<b>Aged Brass</b>
Electrical	<b>12 ~ 24V AC/DC</b>	<b>12 - 24V AC / DC</b>
Cable	<b>200mm Twin Lead</b>	
IP Rating	<b>IP65</b>	
Warranty	<b>Aqualux 2-Year Limited Warranty</b>	
Additional	<b>Integrated CREE LED 3000K</b>	
	<b>Surface Mount Available</b>	



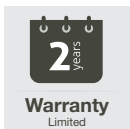
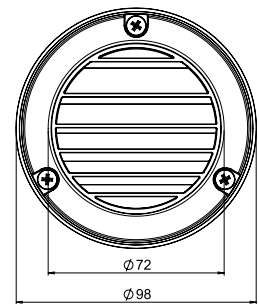
AWL-02-BR

# Steplight



## TECHNICAL

Product Codes	<b>AWL-02-BR</b>	
Product Family	<b>Hydra</b>	
Mounting	<b>Slotted Brass Steplight</b>	
Construction	<b>Solid Cast Brass</b>	<b>Aged Brass</b>
Electrical	<b>SELV</b>	<b>G4 JC-Type SELV</b>
Cable	<b>200mm Twin Lead</b>	
IP Rating	<b>IP65</b>	
Warranty	<b>Aqualux 2-Year Limited Warranty</b>	
Additional	<b>12~24V CREE LED Option</b>	

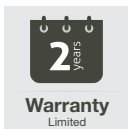
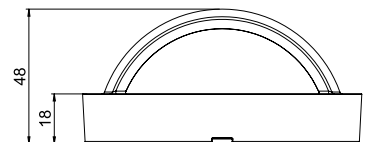
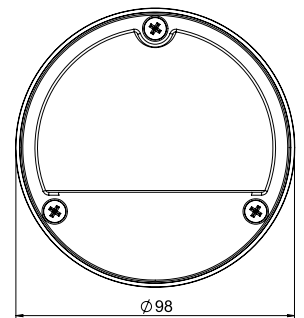


# AWL-01-BR Steplight



## TECHNICAL

Product Codes	<b>AWL-01-BR</b>	
Product Family	<b>Hydra</b>	
Mounting	<b>Slotted Brass Steplight</b>	
Construction	<b>Solid Cast Brass</b>	<b>Aged Brass</b>
Electrical	<b>SELV</b>	<b>G4 JC-Type SELV</b>
Cable	<b>200mm Twin Lead</b>	
IP Rating	<b>IP65</b>	
Warranty	<b>Aqualux 2-Year Limited Warranty</b>	
Additional	<b>12~24V CREE LED Option</b>	







---

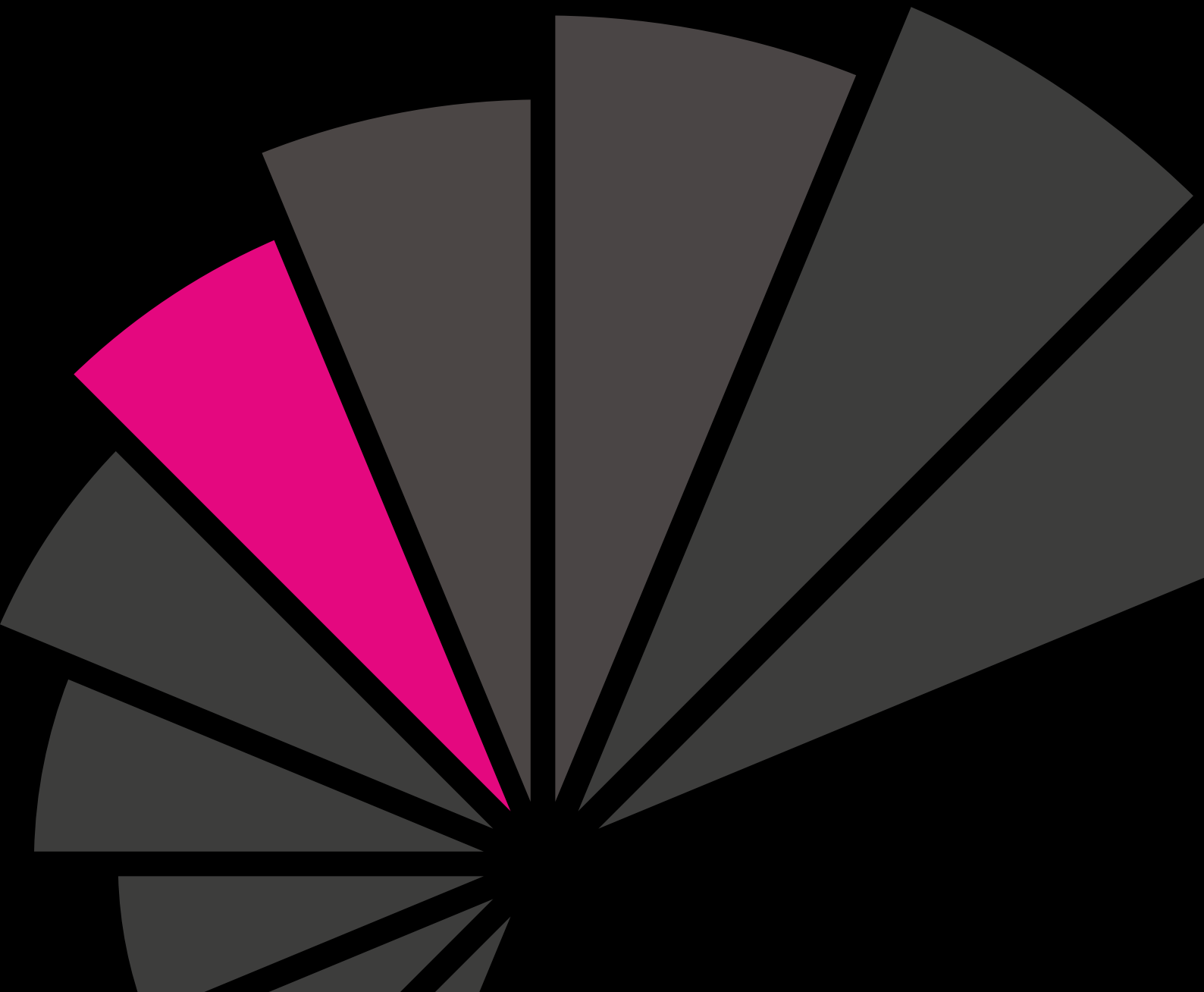
**Landscape  
lighting essentials  
that perform  
to spec and to  
budget.**

The Elements range covers many different project requirements from small backyards through to multi-zoned residential developments. Built from quality Copper and Stainless Steel in 304 and 316 grades, Elements has you covered.

# Elements

---

Landscape Lighting System



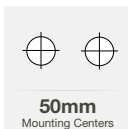
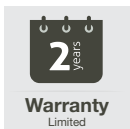
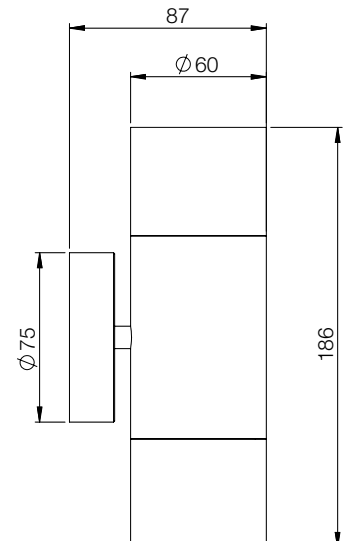


# AWL-03 Wall Light



## TECHNICAL

Product Codes	<b>AWL-03-SS</b> <b>AWL-03-SS-316</b> <b>AWL-03-SS-316-240</b>	
Product Family	<b>Elements</b>	
Mounting	<b>Surface / Wall Mount</b>	
Construction	<b>AWL-03-SS-316</b> <b>AWL-03-SS-316-240</b>	<b>Stainless Steel 316</b> <b>Stainless Steel 316</b>
Electrical	<b>AWL-03-SS-316</b> <b>AWL-03-SS-316-240</b>	<b>GU5.3 SELV</b> <b>GU10 240VAC</b>
Cable	<b>200mm Twin Lead</b>	
IP Rating	<b>IP65</b>	
Warranty	<b>Aqualux 2-Year Limited Warranty</b>	
Additional		



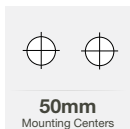
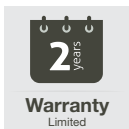
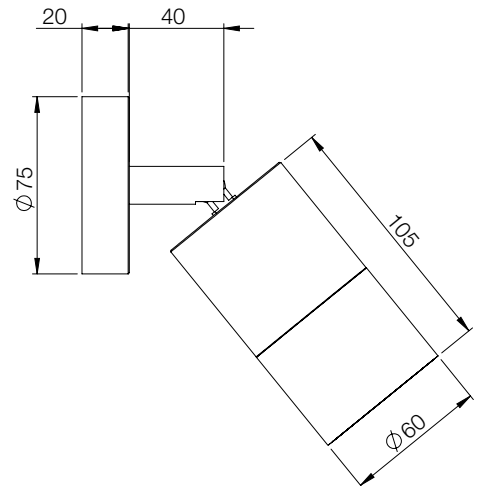
AWL-05

# Adjustable Wall Light



## TECHNICAL

Product Codes	<b>AWL-05-SS</b> <b>AWL-05-SS-316</b> <b>AWL-05-SS-316-240</b>	
Product Family	<b>Elements</b>	
Mounting	<b>Surface / Wall Mount Adjustable</b>	
Construction	<b>AWL-05-SS-316</b> <b>AWL-05-SS-316-240</b>	<b>Stainless Steel 316</b> <b>Stainless Steel 316</b>
Electrical	<b>AWL-05-SS-316</b> <b>AWL-05-SS-316-240</b>	<b>GU5.3 SELV</b> <b>GU10 240VAC</b>
Cable	<b>200mm Twin Lead</b>	
IP Rating	<b>IP65</b>	
Warranty	<b>Aqualux 2-Year Limited Warranty</b>	
Additional		

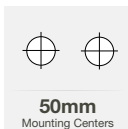
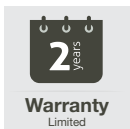
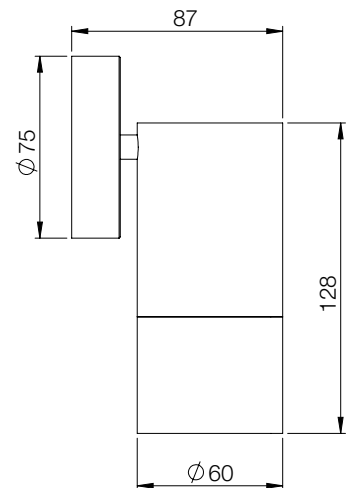


# AWL-06 Fixed Wall Light



## TECHNICAL

Product Codes	<b>AWL-06-SS-316</b> <b>AWL-06-SS-316-240</b>	
Product Family	<b>Elements</b>	
Mounting	<b>Surface / Wall Mount Fixed</b>	
Construction	<b>AWL-06-SS-316</b> <b>AWL-06-SS-316-240</b>	<b>Stainless Steel 316</b> <b>Stainless Steel 316</b>
Electrical	<b>AWL-06-SS-316</b> <b>AWL-06-SS-316-240</b>	<b>GU5.3 SELV</b> <b>GU10 240VAC</b>
Cable	<b>200mm Twin Lead</b>	
IP Rating	<b>IP65</b>	
Warranty	<b>Aqualux 2-Year Limited Warranty</b>	
Additional		



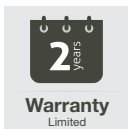
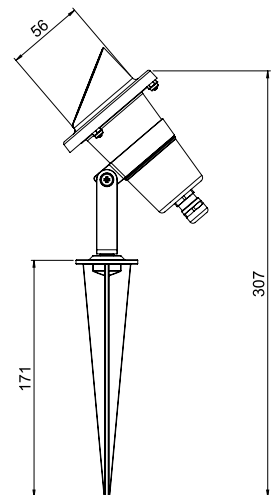
ASL-05

# Hooded Spike Spotlight



## TECHNICAL

Product Codes	<b>ASL-05-SS</b>	
Product Family	<b>Elements</b>	
Mounting	<b>Spike</b>	
Construction	<b>ASL-05-SS</b>	<b>Stainless Steel 304</b>
Electrical	<b>ASL-05-SS</b>	<b>GU5.3 SELV</b>
Cable	<b>200mm Twin Lead</b>	
IP Rating	<b>IP65</b>	
Warranty	<b>Aqualux 2-Year Limited Warranty</b>	
Additional		

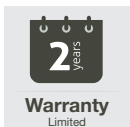
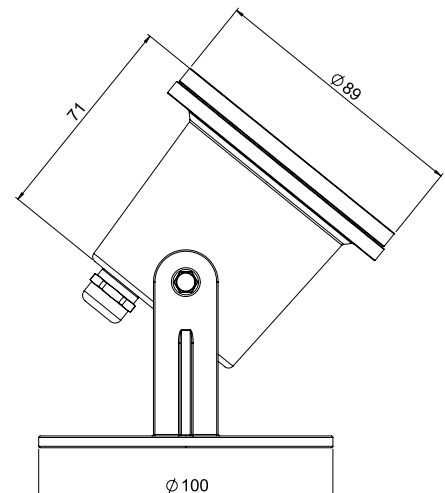


# ASL-04 IP68 Spotlight



## TECHNICAL

Product Codes	<b>ASL-04-SS</b> <b>ASL-04-SS-316</b>	
Product Family	<b>Elements</b>	
Mounting	<b>Surface Mount Spot</b>	
Construction	<b>ASL-04-SS</b> <b>ASL-04-SS-316</b>	<b>Stainless Steel 304</b> <b>Stainless Steel 316</b>
Electrical	<b>ASL-04-SS</b> <b>ASL-04-SS-316</b>	<b>GU5.3 SELV</b> <b>GU5.3 SELV</b>
Cable	<b>4M Twin Core</b>	
IP Rating	<b>IP68</b>	
Warranty	<b>Aqualux 2-Year Limited Warranty</b>	
Additional	<b>Longer lead available</b>	

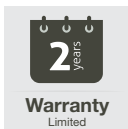
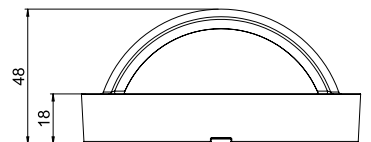
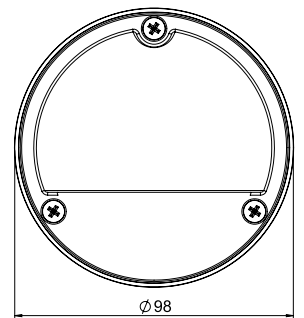


# AWL-01 Step Light



## TECHNICAL

Product Codes	<b>AWL-01-SS-316</b>	
Product Family	<b>Elements</b>	
Mounting	<b>Surface Mount Steplight</b>	
Construction	<b>AWL-01-SS</b>	<b>Stainless Steel 316</b>
Electrical	<b>AWL-01-SS</b>	<b>GU4 JC-Type SELV</b>
Cable	<b>200mm Twin Lead</b>	
IP Rating	<b>IP65</b>	
Warranty	<b>Aqualux 2-Year Limited Warranty</b>	
Additional	<b>12~24V CREE LED Option</b>	

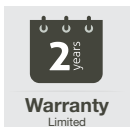
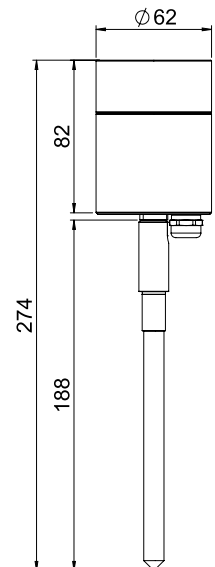


# AUL-02 Spike Spotlight



## TECHNICAL

Product Codes	<b>AUL-02-SS</b> <b>AUL-02-SS-316</b> <b>AUL-02-SS-BK</b>	<b>304 SS Black Powder Coat</b>
Product Family	<b>Elements</b>	
Mounting	<b>Spike Spotlight</b>	
Construction	<b>AUL-02-SS</b> <b>AUL-02-SS-316</b>	<b>Stainless Steel 304</b> <b>Stainless Steel 316</b>
Electrical	<b>AUL-02-SS</b> <b>AUL-02-SS-316</b>	<b>GU5.3 SELV</b> <b>GU5.3 SELV</b>
Cable	<b>200mm Twin Lead</b>	
IP Rating	<b>IP65</b>	
Warranty	<b>Aqualux 2-Year Limited Warranty</b>	
Additional	<b>600mm Extension Available</b>	



Available in Black

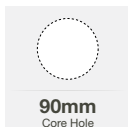
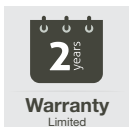
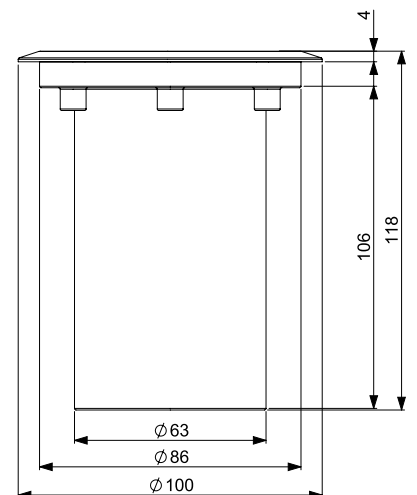
# AUL-03

## Recessed Uplight



### TECHNICAL

Product Codes	<b>AUL-03-SS-316</b>	
Product Family	<b>Elements</b>	
Mounting	<b>Recessed Uplight</b>	
Construction	<b>AUL-03-SS-316</b>	<b>Stainless Steel 316</b>
Electrical	<b>AUL-03-SS-316</b>	<b>GU5.3 SELV</b>
Cable	<b>200mm Twin Lead</b>	
IP Rating	<b>IP65</b>	
Warranty	<b>Aqualux 2-Year Limited Warranty</b>	
Additional		





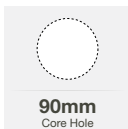
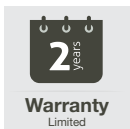
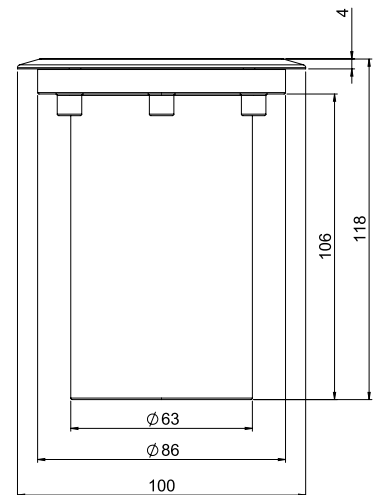
AUL-04

# Recessed Uplight



## TECHNICAL

Product Codes	<b>AUL-04-SS-316</b>	
Product Family	<b>Elements</b>	
Mounting	<b>Square Recessed Uplight</b>	
Construction	<b>AUL-04-SS-316</b>	<b>Stainless Steel 316</b>
Electrical	<b>AUL-04-SS-316</b>	<b>GU5.3 SELV</b>
Cable	<b>200mm Twin Lead</b>	
IP Rating	<b>IP65</b>	
Warranty	<b>Aqualux 2-Year Limited Warranty</b>	
Additional		

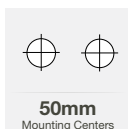
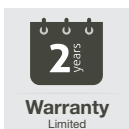
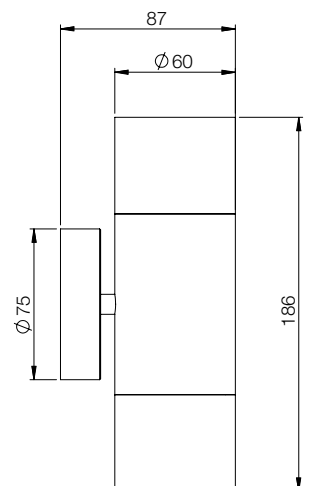


# AWL-03-CP Copper Wall Light



## TECHNICAL

Product Codes	<b>AWL-03-CP</b> <b>AWL-03-CP-240</b>	
Product Family	<b>Elements</b>	
Mounting	<b>Surface / Wall Mount</b>	
Construction	<b>AWL-03-CP</b> <b>AWL-03-CP-240</b>	<b>Pure Copper</b> <b>Pure Copper</b>
Electrical	<b>AWL-03-CP</b> <b>AWL-03-CP-240</b>	<b>GU5.3 SELV</b> <b>GU10 240VAC</b>
Cable	<b>200mm Twin Lead</b>	
IP Rating	<b>IP65</b>	
Warranty	<b>Aqualux 2-Year Limited Warranty</b>	
Additional		



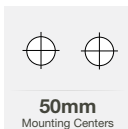
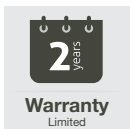
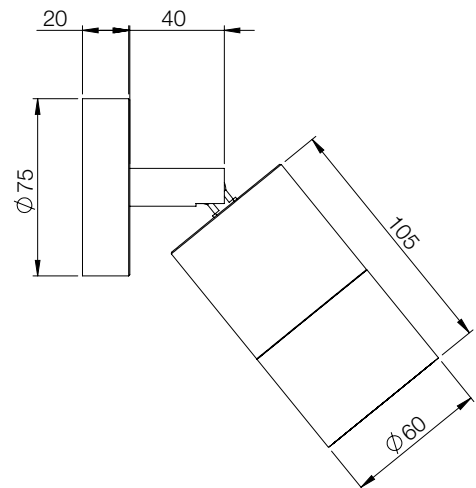
AWL-05-CP

# Copper Adjustable Light



## TECHNICAL

Product Codes	<b>AWL-05-CP</b> <b>AWL-05-CP-240</b>	
Product Family	<b>Elements</b>	
Mounting	<b>Surface / Wall Mount Adjustable</b>	
Construction	<b>AWL-05-CP</b> <b>AWL-05-CP-240</b>	<b>Pure Copper</b> <b>Pure Copper</b>
Electrical	<b>AWL-05-CP</b> <b>AWL-05-CP-240</b>	<b>GU5.3 SELV</b> <b>GU10 240VAC</b>
Cable	<b>200mm Twin Lead</b>	
IP Rating	<b>IP65</b>	
Warranty	<b>Aqualux 2-Year Limited Warranty</b>	
Additional		



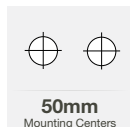
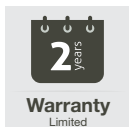
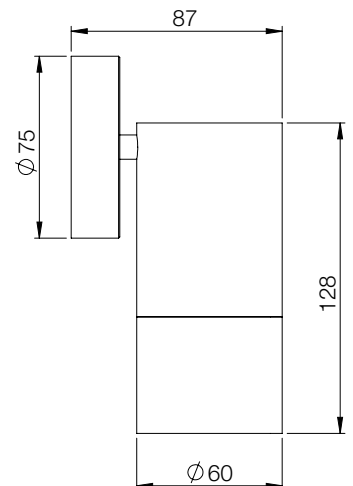
AWL-06-CP

# Fixed Copper Wall Light



## TECHNICAL

Product Codes	<b>AWL-06-CP</b> <b>AWL-06-CP-240</b>	
Product Family	<b>Elements</b>	
Mounting	<b>Surface / Wall Mount Fixed</b>	
Construction	<b>AWL-06-CP</b> <b>AWL-06-CP-240</b>	<b>Pure Copper</b> <b>Pure Copper</b>
Electrical	<b>AWL-06-CP</b> <b>AWL-06-CP-240</b>	<b>GU5.3 SELV</b> <b>GU10 240VAC</b>
Cable	<b>200mm Twin Lead</b>	
IP Rating	<b>IP65</b>	
Warranty	<b>Aqualux 2-Year Limited Warranty</b>	
Additional		



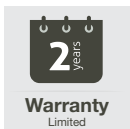
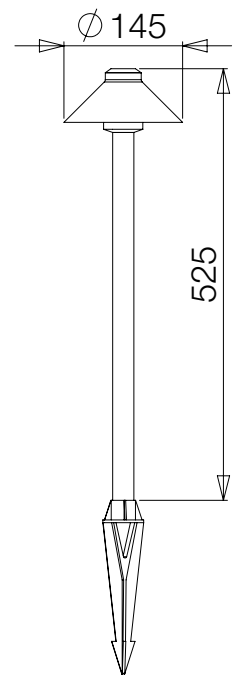
ABL-01-CP

# Pathlight



## TECHNICAL

Product Codes	<b>ABL-01-CP-LED</b>
Product Family	<b>Elements</b>
Mounting	<b>Spiked Bollard</b>
Construction	<b>Pure Copper</b>
Electrical	<b>12 - 24V AC / DC - 6W - 250lms</b>
Cable	<b>200mm Twin Lead</b>
IP Rating	<b>IP65</b>
Warranty	<b>Aqualux 2-Year Limited Warranty</b>
Additional	<b>Integrated CREE LED 3000K / 250lms</b>



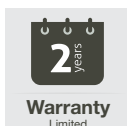
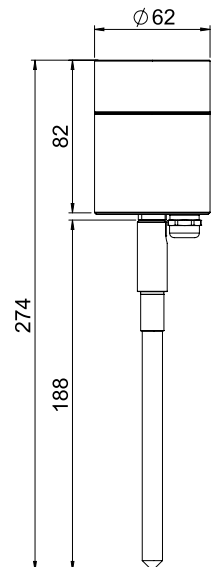
# AUL-02-CP

## Copper Uplight



### TECHNICAL

Product Codes	<b>AUL-02-CP</b>
Product Family	<b>Elements</b>
Mounting	<b>Spike Spot</b>
Construction	<b>Pure Copper</b>
Electrical	<b>GU5.3 SELV</b>
Cable	<b>200mm Twin Lead</b>
IP Rating	<b>IP65</b>
Warranty	<b>Aqualux 2-Year Limited Warranty</b>
Additional	



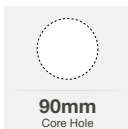
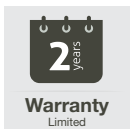
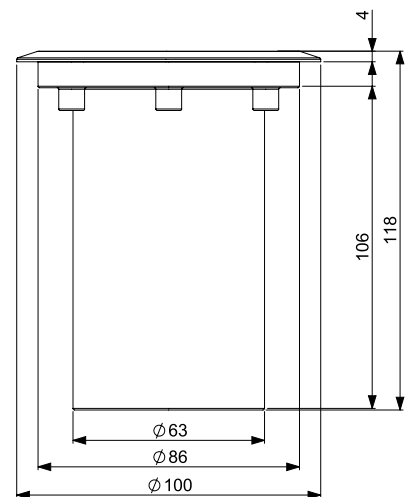
AUL-03-BR

# Brass Recessed Uplight



## TECHNICAL

Product Codes	<b>AUL-03-BR</b>	
Product Family	<b>Elements</b>	
Mounting	<b>Recessed Uplight</b>	
Construction	<b>Canister</b>	<b>Stainless Steel 304</b>
	<b>Faceplate</b>	<b>Brass</b>
Electrical	<b>AUL-03-BR</b>	<b>GU5.3 SELV</b>
Cable	<b>200mm Twin Lead</b>	
IP Rating	<b>IP65</b>	
Warranty	<b>Aqualux 2-Year Limited Warranty</b>	
Additional		



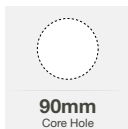
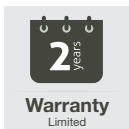
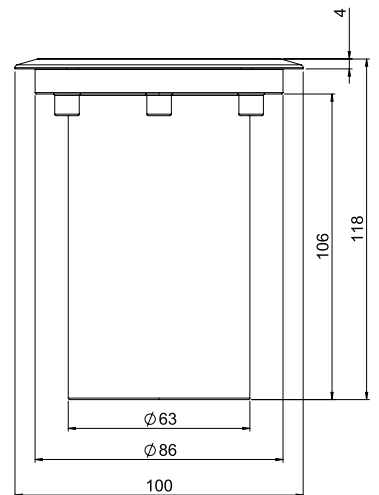
AUL-04-BR

# Brass Recessed Uplight



## TECHNICAL

Product Codes	<b>AUL-04-BR</b>	
Product Family	<b>Elements</b>	
Mounting	<b>Square Recessed Uplight</b>	
Construction	<b>Canister</b>	<b>Stainless Steel 304</b>
	<b>Faceplate</b>	<b>Brass</b>
Electrical	<b>AUL-04-BR</b>	<b>GU5.3 SELV</b>
Cable	<b>200mm Twin Lead</b>	
IP Rating	<b>IP65</b>	
Warranty	<b>Aqualux 2-Year Limited Warranty</b>	
Additional		











HO

*Cellar*



---

## **High-powered architectural LED floodlights.**

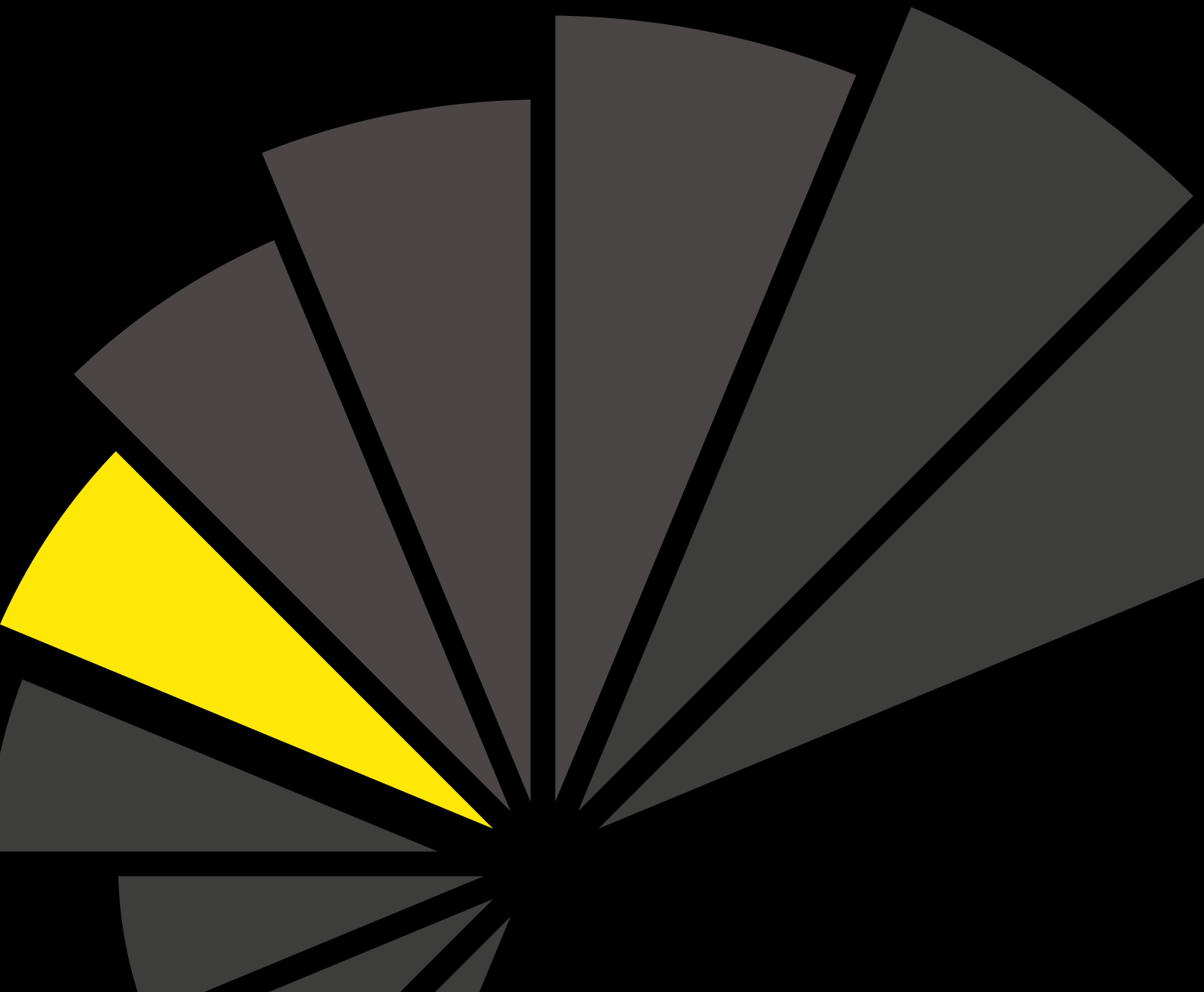
Sometimes you just need more light - for those situations, the Orion range can deliver. Available in 50W & 100W versions in White, Single Colours and RGBW, Orion is suited to all outdoor applications where high-output architectural flood lighting is required.

Remote, 24V DC power provides separation of the heat-generating PSU and the LED array and delivers design and installation flexibility, including multiple dimming and control options.

# Orion

---

Landscape Lighting System



AQL-930

# 100W Floodlight

## 24V DC



Industrial, rugged LED floodlight designed for harsh environments and outdoor use. Integrated SELV drivers offering dimming support and an external control box option simplifies fixed-step output control.

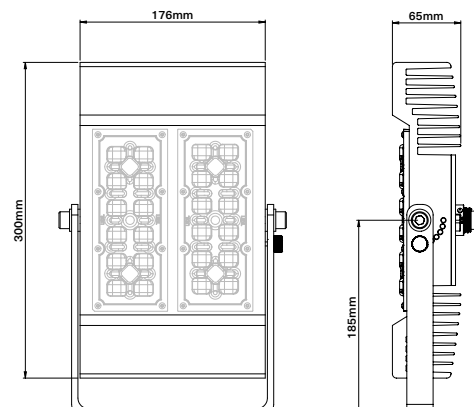
- Security, General Lighting
- Tennis Courts, Sporting
- Large tree, Feature illumination
- Architectural, Facade illumination

- Many optical options available
- UV/Abrasion resistant optical grade PMMA
- 316 Stainless Steel heavy-duty mounting bracket
- Amphenol ECOMATE connector
- 2M R-EP-90 2.5mm<sup>2</sup> cable loom
- Indexed 15° Adjustable Tilt
- Dimmable via 1-10V, PWM
- Fixed Step Dimming box available
- Voltage compensating internal DC driver

<b>Power (W)</b>	100
<b>5700K (lm)</b>	13000
<b>3000K (lm)</b>	10200

Alternate CCT, Single Colour & RGBW Options in development  
IES files available for selected optical options

<b>Optical</b>	20°, 40°, 70°, 100°, 36°+115°, T2, T3, T4 Roadway
<b>Voltage</b>	24V DC MultiVoltage Integrated Electronic Driver
<b>Connector</b>	Amphenol ECOMATE 4P Receptacle
<b>Cable</b>	2M R-EP-90 Industrial Cable
<b>IP</b>	67
<b>Weight</b>	3.2 kg
<b>Control</b>	Fixed Step Control Box, 1 - 10V Analog, PWM



AQL-935

# 50W Floodlight

## 24V DC



Industrial, rugged LED floodlight designed for harsh environments and outdoor use. Integrated SELV drivers offering dimming support and an external control box option simplifies fixed-step output control.

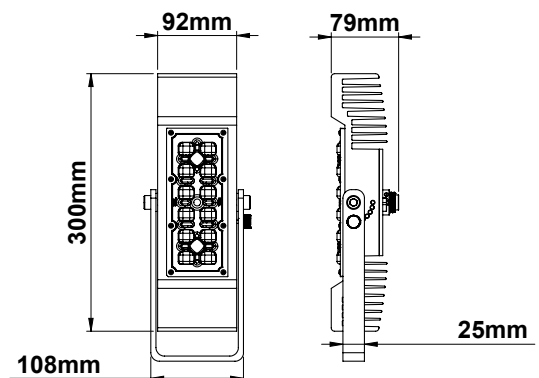
- Security, General Lighting
- Tennis Courts, Sporting
- Large tree, Feature illumination
- Architectural, Facade illumination

- Many optical options available
- UV/Abrasion resistant optical grade PMMA
- 316 Stainless Steel heavy-duty mounting bracket
- Amphenol ECOMATE connector
- 2M R-EP-90 2.5mm<sup>2</sup> cable loom
- Indexed 15° Adjustable Tilt
- Dimmable via 1-10V, PWM
- Fixed Step Dimming box available
- Voltage compensating internal DC driver

<b>Power (W)</b>	50
<b>5700K (lm)</b>	8200
<b>3000K (lm)</b>	6500

Alternate CCT, Single Colour & RGBW Options in development  
IES files available for selected optical options

<b>Optical</b>	20°, 40°, 70°, 100°, 36°+115°, T2, T3, T4 Roadway
<b>Voltage</b>	24V DC MultiVoltage Integrated Electronic Driver
<b>Connector</b>	Amphenol ECOMATE 4P Receptacle
<b>Cable</b>	2M R-EP-90 Industrial Cable
<b>IP</b>	67
<b>Weight</b>	2.2 kg
<b>Control</b>	Fixed Step Control Box, 1 - 10V Analog, PWM





# AQL-910 50W Floodlight 24V DC

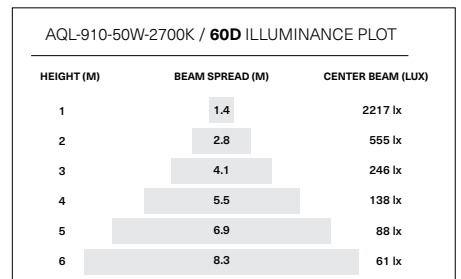
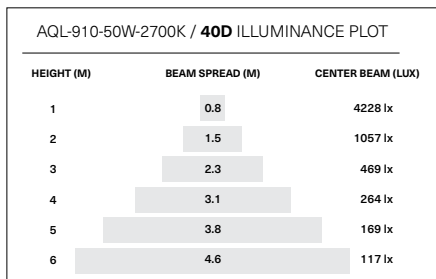
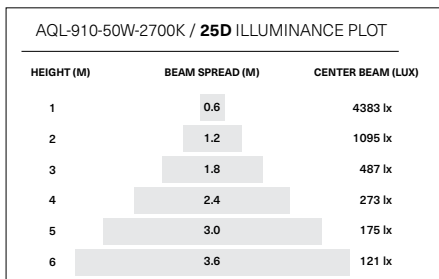
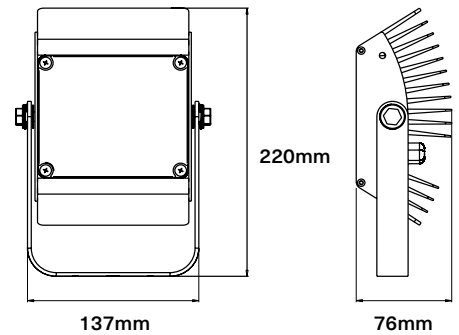


## TECHNICAL

Product Code	<b>AQL-910-50W</b>
Product Family	<b>Orion Architectural LED Flood</b>
Mounting	<b>U-Bracket / M6 Bolts</b>
Construction	<b>Extruded Aluminium / Thermal Enhancing Paint</b>
Electrical	<b>24V DC</b>
Power	<b>50W</b>
Cable	<b>900mm 2-Core</b>
IP Rating	<b>IP65</b>
Warranty	<b>3 Year Aqualux Warranty</b>

## CONFIGURE

Beam Spread	<b>25D / 40D / 60D</b>	
CCT	<b>2700K</b>	<b>2500lms</b>
	<b>5000K</b>	<b>3600lms</b>



AQL-910

# 100W Floodlight 24V DC

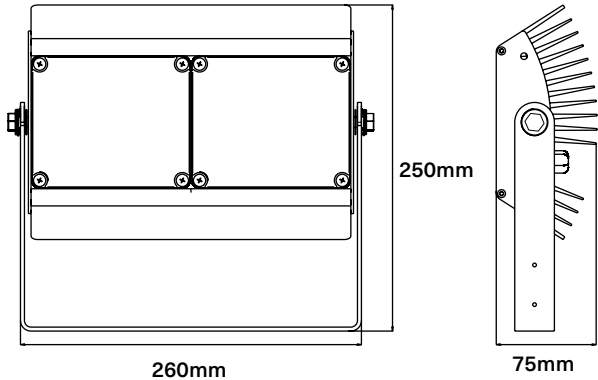


## TECHNICAL

Product Code	<b>AQL-910-100W</b>
Product Family	<b>Orion Architectural LED Flood</b>
Mounting	<b>U-Bracket / M6 Bolts</b>
Construction	<b>Extruded Aluminium / Thermal Enhancing Paint</b>
Electrical	<b>24V DC</b>
Power	<b>100W</b>
Cable	<b>900mm 2-Core</b>
IP Rating	<b>IP65</b>
Warranty	<b>3 Year Aqualux Warranty</b>

## CONFIGURE

Beam Spread	<b>25D / 40D / 60D</b>	
CCT	<b>2700K</b>	<b>5000lms</b>
	<b>5000K</b>	<b>7200lms</b>



# AQL-910

## 50W RGBW Floodlight

### 24V DC



## TECHNICAL

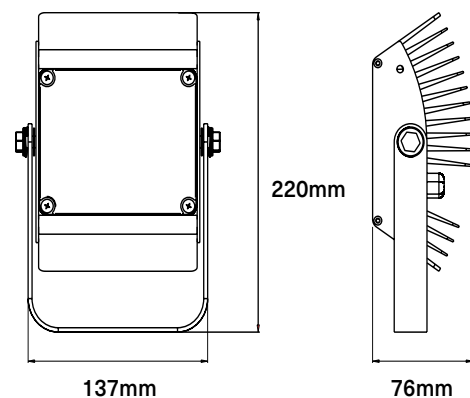
Product Code	<b>AQL-910-50W</b>
Product Family	<b>Orion Architectural RGBW LED Flood</b>
LED	<b>6 x 5050 RGBW 4-in-1 LED</b>
Output	<b>2450 lms @ 100% RGBW</b>
Mounting	<b>U-Bracket / M6 Bolts</b>
Construction	<b>Extruded Aluminium / Thermal Enhancing Paint</b>
Electrical	<b>24V DC / RGBW Control</b>
Power	<b>50W</b>
Cable	<b>2M / 5-Core</b>
IP Rating	<b>IP65</b>
Warranty	<b>2 Year Aqualux Warranty</b>
L70	<b>30,000 hrs @ 100% RGBW</b>
Operating Temp	<b>-10C ~ +40C</b>

## CONFIGURE

Beam Spread	<b>30D / 50D / 70D</b>	
CCT	<b>RGB</b>	<b>4000K</b>
	<b>W</b>	

## CONTROL

DMX	<b>DMX512 Interface</b>
REMOTE	<b>RGBW Remote Control</b>



# AQL-910 100W RGBW Floodlight 24V DC



## TECHNICAL

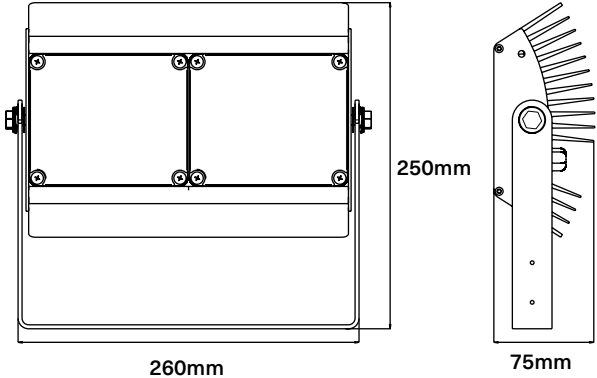
Product Code	<b>AQL-910-100W</b>
Product Family	<b>Orion Architectural RGBW LED Flood</b>
LED	<b>12 x 5050 RGBW 4-in-1 LED</b>
Output	<b>5560 lms @ 100% RGBW</b>
Mounting	<b>U-Bracket / M6 Bolts</b>
Construction	<b>Extruded Aluminium / Thermal Enhancing Paint</b>
Electrical	<b>24V DC / RGBW Control</b>
Power	<b>100W</b>
Cable	<b>2M / 5-Core</b>
IP Rating	<b>IP65</b>
Warranty	<b>2 Year Aqualux Warranty</b>
L70	<b>30,000 hrs @ 100% RGBW</b>
Operating Temp	<b>-10C ~ +40C</b>

## CONFIGURE

Beam Spread	<b>30D / 50D / 70D</b>
CCT	<b>RGB</b>
	<b>W</b>
	<b>4000K</b>

## CONTROL

DMX	<b>DMX512 Interface</b>
REMOTE	<b>RGBW Remote Control</b>



---

**Flexible LED  
strip opens up all  
new possibilities  
when it comes to  
lighting design  
and installation.**

From the unique AQS-260 24V AC strip to innovative side-emitting and durable silicon-encapsulated 'Neon Flex', Aqualux has developed a broad range of strip lighting solutions designed to give complete lighting design freedom.

# LED/Flex

---

Landscape Lighting System









# AQS-260

## 24V AC / DC LED Flex

AQS-260 is the only 24V **AC** available today. It's designed for both 24V AC or DC powered applications including both outdoor and indoor installations. High lumen output & choice of AC or DC make the AQS-260 a truly "flexible" LED strip.

### AC or DC Voltage Choice

Compatible with our AQO range of toroidal 24V SELV Power Supplies, AQS-260 strip will run off the same AC-trunk cable as other SELV luminaires in the Aqualux range - greatly simplifying cabling and installation issues. With no dedicated DC driver required, system and installation costs are also reduced.

### IPX6 Rated

Coated in a Parylene-N CVD process, AQS-260 is IPX5 rated, providing protection in most damp and exposed<sup>1</sup> locations. Should mechanical protection be required, we recommend installation into one of our aluminium profiles. Mounting onto a clean aluminium / metal surface is recommended for long-term performance.

### Dimming

Dimmable via a standard Universal Dimmer<sup>2</sup> in conjunction with our AQO24 range of power supplies, smooth dimming from 10% - 90% is available with unprecedented ease of installation - no more 1-10V/PWM/Resistance confusion.

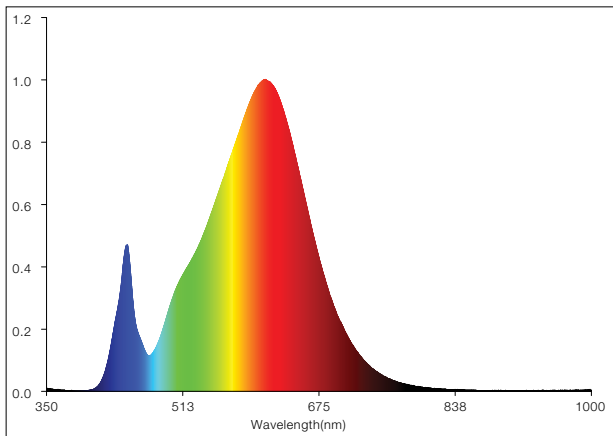
1. Exposure to direct sunlight (i.e. intense UV) should be avoided.

2. Performance will vary based on dimmer/transformer compatibility. For best results, we recommend Clipsal 32E450UDM

3. Due to the Parylene coating process, solder points should be lightly abraded/scraped to remove coating before attempting to solder. Re-coat using silicone based conformal spray.

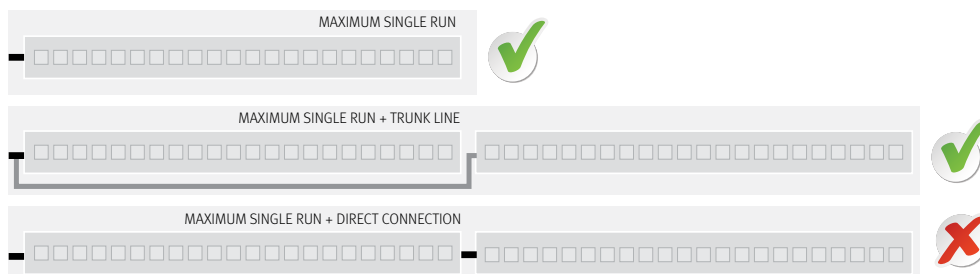
AQS-260 Spectral Power Distribution (24V DC)

1.0=22.756mW/nm



## Installation Note

Do not exceed maximum single run length. Use trunking cable.



# AQS-260

24V AC/DC  
1085 lm  
Parylene IPX5



## TECHNICAL

Product Code	<b>AQS-260</b>	
Product Family	<b>AQS LED / Flex</b>	
Mounting	<b>3M Adhesive Backing</b>	
Construction	<b>Flexible FR4 / 2 oz Cu.</b>	
Electrical	<b>24V AC</b>	<b>24V DC</b>
Watts / M	<b>11.6</b>	<b>14.8</b>
Lumens / M	<b>690</b>	<b>1085</b>
Lumens / W	<b>59.5</b>	<b>73.3</b>
Max Run Length	<b>7M</b>	<b>5M</b>
PSU Compatibility	<b>24V AC Magnetic</b>	<b>24V DC CV</b>
Dimming Support	<b>Universal / Phase</b>	<b>Various</b>
Cut Interval	<b>100 mm</b>	
LED	<b>LG 5630</b>	
CRI	<b>83</b>	
Protective Coating	<b>Parylene-N</b>	
Cable	<b>1000mm 2-Core Tail</b>	
IP Rating	<b>IPX5</b>	
Warranty	<b>2 Year Aqualux Warranty</b>	
Additional	<b>Cut / Join Service</b>	

## CONFIGURE

CCT Options	<b>2700K Warm White</b>	<b>AQS-260-24-2700</b>
	<b>3000K Warm White</b>	<b>AQS-260-24-3000</b>
	<b>4000K Neutral White</b>	<b>AQS-260-24-4000</b>
	<b>5500K Cool White</b>	<b>AQS-260-24-5500</b>



# AQS-500

## IP68 Neon Flex

AQS-500 is encapsulated in multiple silicone channels for full IP68 protection. Use for pool copings, in-pavement channels and exterior wall grazing where substantial moisture and mechanical protection is required. As with all IP68 products, the ingress protection is determined by the quality of the cable joins and installation.

### IP68 Rated

Multiple silicone encapsulation steps combined with a custom injection molded end-cap process mean that real-world IP68 performance can be expected in depths up to 1M. To ensure IP68 performance, there can be no submerged cable joins at all.

### Dimming

Dimmable via 1-10V using a compatible power supply, or with PWM based controllers including the Aqualux AQD-400 series.

Can also be interfaced with CBUS and other smart home systems with the appropriate gateway devices.

### RGB Available

RGB strip is available for colour changing applications.

## Dimensions

Cross section dimensions of the AQS-500.



## TECHNICAL

Product Code	AQS-500
Product Family	AQS LED / Flex
Mounting	Clips / Profile
Construction	Eco-PVC + Silicone Encapsulation
Electrical	24V DC
Watts / M	12
Lumens / M	380 (5700K)
Max Run Length	10M (20M if looped circuit)
PSU Compatibility	24V DC Constant Voltage
Dimming Support	Various
Min. Bend Radius	40mm (80mm Diameter)
Cut Interval	100 mm
LED	Epistar 5050
CRI	80+ CRI
Protective Coating	Silicone Encapsulation
Cable	500mm 2-Core Tail
IP Rating	IP68
IK Rating	IK08
Warranty	2 Year Aqualux Warranty
Additional	Cut / Join Service

## CONFIGURE

2700K Warm White	AQS-500-24-2700	288 lm/M	2700K	Stocked
3000K Warm White	AQS-500-24-3000	309 lm/M	3000K	Indent
4000K Neutral White	AQS-500-24-4000	334 lm/M	4000K	Indent
5700K Cool White	AQS-500-24-5700	380 lm/M	5700K	Stocked
RGB Colour	AQS-500-24-RGB	~150 lm/M	-	Stocked

## ORDER CODE

Base Code	Voltage	CCT / Colour	Cable Entry	Length
AQS-500	24	2700	A	1M
		3000	B	2M
		4000	C	5M
		5700	D	10M
		RGB	E	CUSTOM
			F	

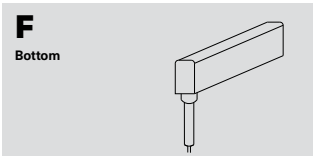
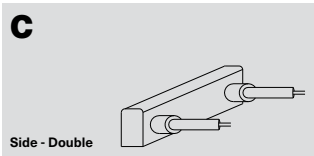
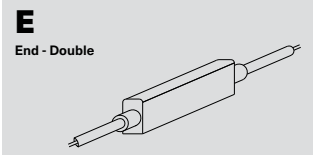
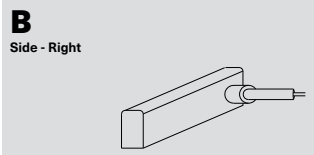
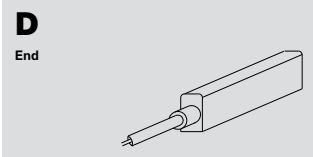
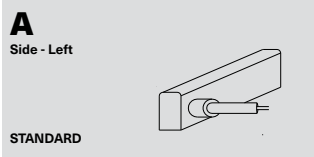
# AQS-500

24V DC  
Up to 380 lm  
IP68



## Cable Entry

The standard cable entry is A / Side - Left.  
Other options are available to order.

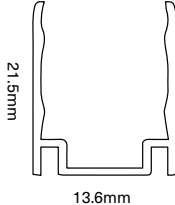


## Standard Lengths

AQS-500 is available in standard lengths of 1M, 2M & 5M.  
These can be mixed, cut down and abutted to make up a required run or a custom length can be ordered with a 3 week lead time.

## Profile

The A custom designed aluminium profile is available that securely retains the AQS-500 as well as providing space for screw mounting below. Profile can be drilled to facilitate cable exit.



# AQS-130

24V DC  
500 lm  
Parylene IPX5  
CRI 90+



## AQS-130

Suitable for subtle wall washing and cove illumination where mixing distance is not critical.

### TECHNICAL

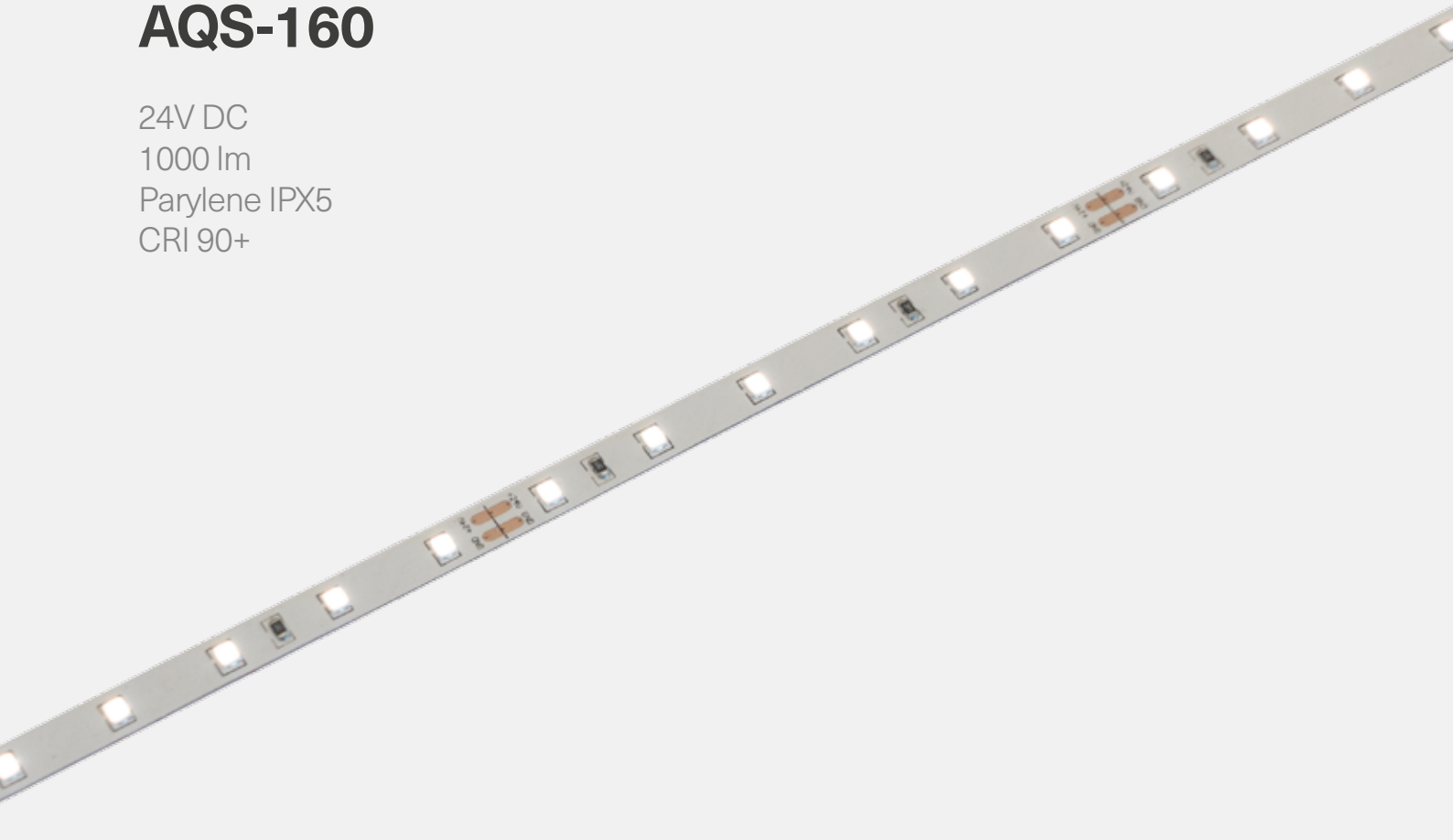
Product Code	<b>AQS-130</b>
Product Family	<b>AQS LED / Flex</b>
Mounting	<b>3M Adhesive Backing</b>
Construction	<b>Flexible FR4 / 2 oz Cu.</b>
Electrical	<b>24V DC</b>
Watts / M	<b>7.2</b>
Lumens / M	<b>500</b>
Lumens / W	<b>69</b>
Max Run Length	<b>10M</b>
PSU Compatibility	<b>24V DC Constant Voltage</b>
Dimming Support	<b>Various</b>
Cut Interval	<b>170 mm</b>
LED	<b>Epistar 2835</b>
CRI	<b>90+ CRI</b>
Protective Coating	<b>Parylene</b>
Cable	<b>100mm 2-Core Tail</b>
IP Rating	<b>IPX5</b>
Warranty	<b>2 Year Aqualux Warranty</b>
Additional	<b>Cut / Join Service</b>

### CONFIGURE

CCT Options	<b>3000K Warm White</b>	<b>AQS-130-24-3000</b>
	<b>5500K Cool White</b>	<b>AQS-130-24-5500</b>

# AQS-160

24V DC  
1000 lm  
Parylene IPX5  
CRI 90+



## AQS-160

Suitable for high power wall washing and cove illumination where mixing distance is more important.

### TECHNICAL

Product Code	<b>AQS-160</b>
Product Family	<b>AQS LED / Flex</b>
Mounting	<b>3M Adhesive Backing</b>
Construction	<b>Flexible FR4 / 2 oz Cu.</b>
Electrical	<b>24V DC</b>
Watts / M	<b>14.4</b>
Lumens / M	<b>1000</b>
Lumens / W	<b>69</b>
Max Run Length	<b>5M</b>
PSU Compatibility	<b>24V DC Constant Voltage</b>
Dimming Support	<b>Various</b>
Cut Interval	<b>100 mm</b>
LED	<b>Epistar 2835</b>
CRI	<b>90+ CRI</b>
Protective Coating	<b>Parylene</b>
Cable	<b>100mm 2-Core Tail</b>
IP Rating	<b>IPX5</b>
Warranty	<b>2 Year Aqualux Warranty</b>
Additional	<b>Cut / Join Service</b>

### CONFIGURE

CCT Options	
<b>3000K Warm White</b>	<b>AQS-160-24-3000</b>
<b>5500K Cool White</b>	<b>AQS-160-24-5500</b>

8mm



# AQS-320

24V DC  
500 lm  
Parylene IPX5  
CRI 90+



## AQS-320

AQS-320 is a side-emitting strip allowing installation on curves and other surfaces where a lateral projection is desired. Featuring 120 LEDs / M delivering a smooth wash of light and a slim 8mm width.

### TECHNICAL

Product Code	<b>AQS-320</b>
Product Family	<b>AQS LED / Flex</b>
Mounting	<b>3M Adhesive Backing</b>
Construction	<b>8mm Flexible FR4 / 2 oz Cu.</b>
Electrical	<b>24V DC</b>
Watts / M	<b>9.6</b>
Lumens / M	<b>600</b>
Lumens / W	<b>62.5</b>
Max Run Length	<b>7M</b>
PSU Compatibility	<b>24V DC Constant Voltage</b>
Dimming Support	<b>Various</b>
Cut Interval	<b>50 mm</b>
LED	<b>Edison 335</b>
CRI	<b>80+ CRI</b>
Protective Coating	<b>Parylene</b>
Cable	<b>100mm 2-Core Tail</b>
IP Rating	<b>IPX5</b>
Warranty	<b>2 Year Aqualux Warranty</b>
Additional	<b>Cut / Join Service</b>

### CONFIGURE

CCT Options	<b>3000K Warm White</b>	<b>AQS-320-24-3000</b>
	<b>5500K Cool White</b>	<b>AQS-320-24-5500</b>

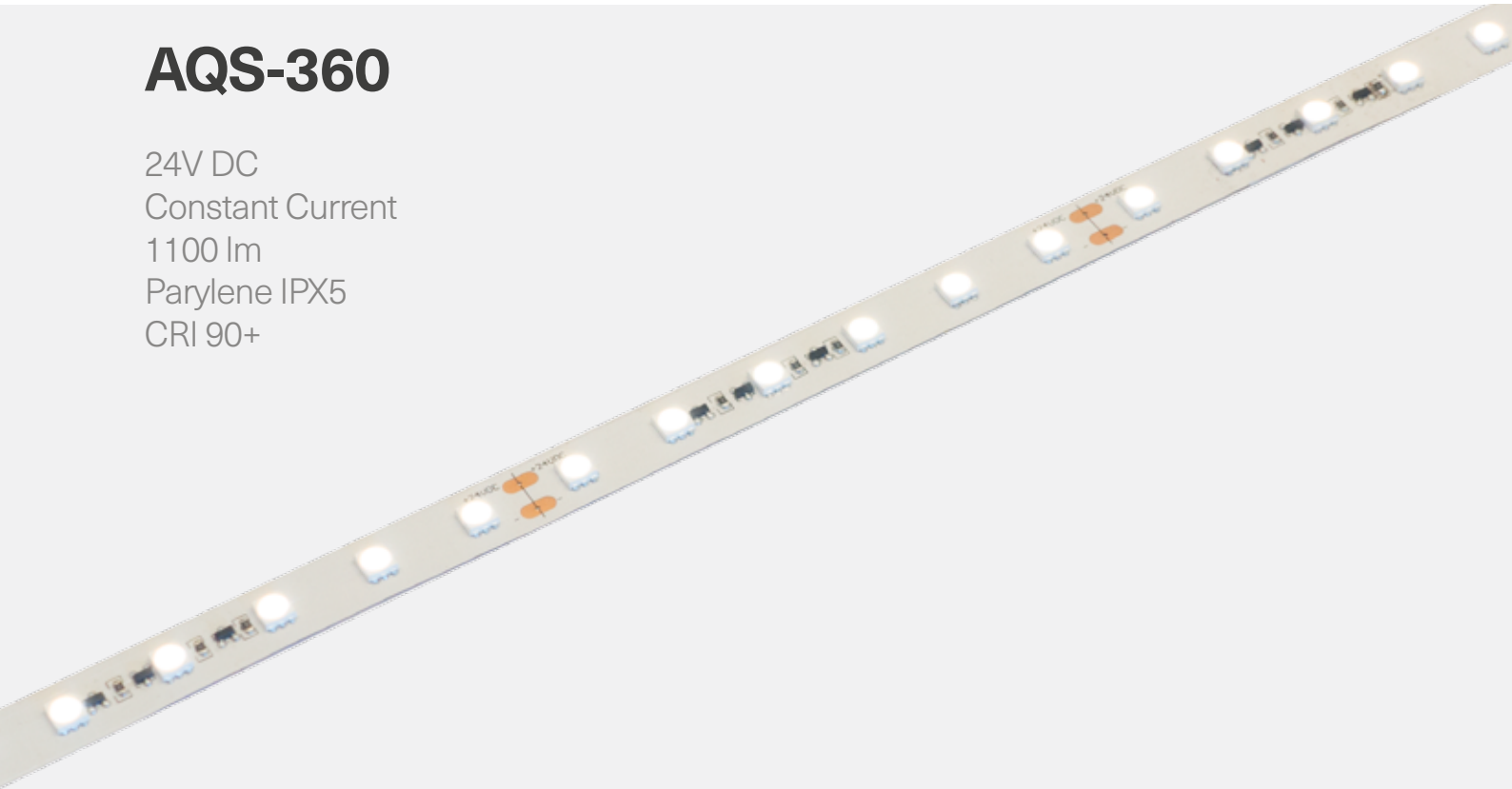
8mm

Cross Section

1mm

# AQS-360

24V DC  
Constant Current  
1100 lm  
Parylene IPX5  
CRI 90+



## AQS-360

AQS-360 incorporates a triode based design to stabilise current across each section, allowing for longer runs without a drop in brightness. 12mm PCB ensures adequate heat dissipation.

### TECHNICAL

Product Code	<b>AQS-360</b>
Product Family	<b>AQS LED / Flex</b>
Mounting	<b>3M Adhesive Backing</b>
Construction	<b>12 mm Flexible FR4 / 2 oz Cu.</b>
Electrical	<b>24V DC</b>
Watts / M	<b>14.4</b>
Lumens / M	<b>1100</b>
Lumens / W	<b>76</b>
Max Run Length	<b>20 M</b>
PSU Compatibility	<b>24V DC Constant Voltage</b>
Dimming Support	<b>Various</b>
Cut Interval	<b>100 mm</b>
LED	<b>Epistar 5050</b>
CRI	<b>80+ CRI</b>
Protective Coating	<b>Parylene-C</b>
Cable	<b>100mm 2-Core Tail</b>
IP Rating	<b>IPX5</b>
Warranty	<b>2 Year Aqualux Warranty</b>
Additional	<b>Cut / Join Service</b>

### CONFIGURE

CCT Options	<b>3000K Warm White</b>	<b>AQS-360-24-3000</b>
	<b>5500K Cool White</b>	<b>AQS-360-24-5500</b>

12mm

Cross Section

2mm

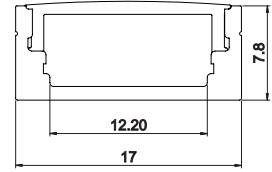


# Aluminium Profile

---

A basic profile that will fit LED strip up to 12mm wide and 7mm high.

AQS-100-AL-002-1M  
AQS-100-AL-002-2M



# Aquatran AQO

---

The leading outdoor power supply for more than 10 years, the Aquatran AQO is still going strong. Although most of the landscape lighting industry has gone LED for a few years now, DC power supplies are still not as bullet proof or offering the same trouble-free performance as toroidal wire-wound.

- IP67 Rated
- 12V / 24V Options
- 1.8M Flex & Plug
- Wall Mounting
- 8mm<sup>2</sup> Output Cable
- UV-Stable Case
- Fully Epoxy Encapsulated

AQO12-020	12V AC	20W
AQO12-050	12V AC	50W
AQO12-100	12V AC	100W
AQO12-200	12V AC	200W
AQO12-300	12V AC	300W
AQO12-400	12V AC	400W
AQO24-050	24V AC	50W
AQO24-100	24V AC	100W
AQO24-200	24V AC	200W
AQO24-300	24V AC	300W
AQO24-400	24V AC	400W



# Control Gear & Power Supplies

## AQD 24V DC Power Supplies

	30W	60W	100W
<b>Model</b>	AQD24-30	AQD24-60	AQD24-100
<b>Input</b>	100 - 240V / 50Hz		
<b>Output</b>	24V DC		
<b>Power</b>	30W	60W	100W
<b>Current</b>	1.25A	2.5A	4.16A
<b>Safety</b>	Short Circuit / Thermal Protection		



## AQD-400 RGBW Control System

<b>Model</b>	AQD-400-T4-CV
<b>Frequency</b>	2.4Ghz
<b>Voltage</b>	5V / 12V / 24V
<b>Max Load</b>	4CH x 5A - 20A Total
<b>Max Power</b>	240W @ 12VDC / 480W @ 24VDC
<b>Range</b>	30M (Location Dependant)
<b>Modes</b>	Single Colour / Colour Changing Programs / Custom



## Meanwell Power Supplies

	150W	240W	600W
<b>Model</b>	AQD-MW-HLG-150-24B	AQD-MW-HLG-240-24B	AQD-MW-HLG-600-24B
<b>Input</b>	100 - 240V / 50Hz		
<b>Output</b>	24V DC		
<b>Power</b>	150W	240W	600W
<b>Current</b>	6.25A	10A	25A
<b>Dimming</b>	1 - 10V Analogue / Fixed Resistor / PWM		
<b>Safety</b>	Short Circuit / Thermal Protection		



## Aquatran AQO IP67 Power

AC Voltage

The leading outdoor power supply for more than 10 years, the Aquatran AQO is still going strong. Although most of the landscape lighting industry has gone LED for a few years now, DC power supplies are still not as bullet proof or offering the same trouble-free performance as toroidal wire-wound.

- IP67 Rated
- 12V / 24V Options
- 1.8M Flex & Plug
- Wall Mounting
- 8mm<sup>2</sup> Output Cable
- UV-Stable Case
- Fully Epoxy Encapsulated

AQO12-020	12V AC	20W
AQO12-050	12V AC	50W
AQO12-100	12V AC	100W
AQO12-200	12V AC	200W
AQO12-300	12V AC	300W
AQO12-400	12V AC	400W
AQO24-050	24V AC	50W
AQO24-100	24V AC	100W
AQO24-200	24V AC	200W
AQO24-300	24V AC	300W
AQO24-400	24V AC	400W



## Aquatran AQD IP67 DC Power

DC Voltage

A new range of 24V constant voltage power supplies for LED strip lighting and other DC applications.

	30W	60W	100W
<b>Model</b>	AQD24-30	AQD24-60	AQD24-100
<b>Input</b>	100 - 240V / 50Hz		
<b>Output</b>	24V DC		
<b>Power</b>	30W	60W	100W
<b>Current</b>	1.25A	2.5A	4.16A
<b>Safety</b>	Short Circuit / Thermal Protection		



## Meanwell HLG IP67 Power Supplies

High power DC supplies for larger installations.

	150W	240W	600W
<b>Model</b>	AQD-MW-HLG-150H-24B	AQD-MW-HLG-240H-24B	AQD-MW-HLG-600H-24B
<b>Input</b>	100 - 240V / 50Hz		
<b>Output</b>	24V DC		
<b>Power</b>	150W	240W	600W
<b>Current</b>	6.25A	10A	25A
<b>Dimming</b>	1 - 10V Analogue / Fixed Resistor / PWM		
<b>Safety</b>	Short Circuit / Thermal Protection		



## AQD-400 RGB/W Control

4CH / RGBW

Simple to install & operate **4-channel** control system. Featuring RF remote for up to 50M (usually around ~30M) control distance, built in RGB/W effect modes and set colours. The easiest way to set up and control an Constant Voltage / PWM RGBW system

Receiver	AQD-400-RGB-003
Remote	AQD-400-RGB-004
Frequency	2.4Ghz
Voltage	5V / 12V / 24V
Max Load	4CH x 5A - 20A Total
Max Power	240W @ 12VDC / 480W @ 24VDC
Range	30M (Location Dependant)
Modes	Single Colour / Colour Changing Programs / Custom



## AQD-400 RGB Control

3CH / RGB

Simple to install & operate **3-channel** control system. Built in RGB effect modes and set colours. The easiest way to set up and control an Constant Voltage / PWM RGB system

Receiver	AQD-400-RGB-001
Remote	AQD-400-RGB-002
Frequency	2.4Ghz
Voltage	5V / 12V / 24V
Max Load	3CH x 5A - 15A Total
Max Power	180W @ 12VDC / 360W @ 24VDC
Range	30M (Location Dependant)
Modes	Single Colour / Colour Changing Programs



## AQD-400 T3-CV Control

3CH / RGB / Dimming

The T3-CV is a multi-purpose controller than can be used for a range of applications, including RGB, Colour Tuning, Single Channel dimming and more.

Receiver	AQD-400-T3-CV
Remote	T1/T2/T2M/T3/T3M/T3X
Frequency	2.4Ghz
Power / Voltage	90W/216W/432W(5V/12V/24V)
Max Load	3CH x 6A - 18A Total
Max Power	216W @ 12VDC / 432W @ 24VDC
Range	30M (Location Dependant)
Modes	Single Colour / CCT Tuning / Dimming

## AQD-400 UX8 Control Panel

The UX8 is a stylish wall panel for controlling up to 4 RGBW receivers over RF and DMX512 signals (Use with R4-5A/CC)

Model	AQD-400-RGB-UX8
Output Signal	RF 2.4Ghz / DMX512
Voltage	5VDC / 0.5A - 1A (With Power Adapter)
Control Mode	RGBW / 4 Zones
Working Temp	-30C - 55C
Package Size	132 x 192 x 50D
Range	30M (Location Dependant)
Modes	Single Colour / Colour Changing Programs



## AQD-400 WiFi 104 Control

Multi purpose WiFi controller able to operate up to 12 zones for ultimate flexibility. Requires compatible PSU.

Model	AQD-400-WIFI104
Output Signal	WiFi / 802.11 b/g/n
Voltage	12 / 24V DC
Control Mode	Single Colour / Colour Tuning / RGB / RGBW
Working Temp	-30C - 55C
Package Size	L128xW73xH45mm
Range	Up to 100M (Location Dependant)
Modes	Single Colour / Colour Changing Programs



## AQD-400 840-6A DMX / CV

A 4-channel, 6A DMX > CV decoder allowing colour changing control signals to be sent over long distances, up to 1Km.

Model	AQD-400-RGB-840-6A
Input Signal	DMX512
Output Signal	PWM Constant Voltage
Voltage	5V / 12V / 24V (120W / 288W / 576W)
Sockets	XLR-3 / RJ45 / Terminal
Working Temp	-30C - 55C
Dimensions	L163xW78xH40mm
Range	DMX512 signal up to 1000M



## AQD-400 840-350 DMX / CC

A 4-channel, 6A DMX > CC decoder allowing colour changing control signals to be sent over long distances, up to 1Km.

Model	AQD-400-RGB-840-350
Input Signal	12V ~ 48V DC
Output Signal	42V Max / 350mA Max / Constant Current
Output Power	14.7W / CH Max, 58.8W Total Max
Sockets	XLR-3 / RJ45 / Terminal
Working Temp	-30C - 55C
Dimensions	L163xW78xH40mm
Range	DMX512 signal up to 1000M



## AQD-400 R4-5A Receiver

Receiver for Wi Fi 104 controller or UX wall panels, the R4-5A can be used for single colour or RGBW systems.

Model	AQD-400-RGB-R45A
Input Signal	RF 2.4Ghz
Voltage	100W/240W/480W(5V/12V/24V)
Control Mode	Single Colour / Colour Tuning / RGBW
Working Temp	-30C - 55C
Package Size	L175xW44xH30mm
Range	30M (Location Dependant)
Modes	Single Colour / Colour Changing Programs



## AQD-400 R4-CC Receiver

Constant Current Receiver for Wi Fi 104 controller or UX wall panels, the R4-5A can be used for single colour or RGBW systems.

Model	AQD-400-RGB-R4CC
Input Voltage	DC12V~DC48V
Output Voltage	DC3V~46V
Output Power	CC 350/700/1050mA×4CH(3 in 1)
Working Temp	-30C - 55C
Package Size	L175xW44xH30mm
Range	30M (Location Dependant)
Modes	Single Colour / Colour Changing Programs



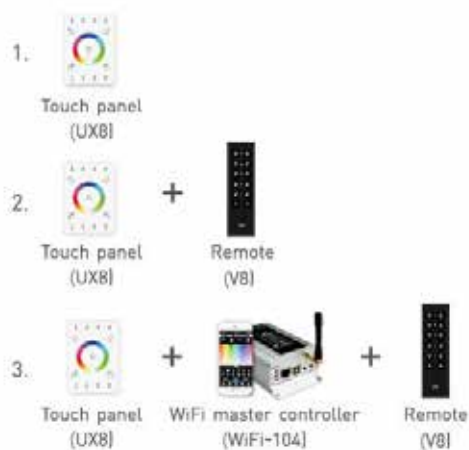
## AQD-400 Remote V8

Remote control compatible with R4-5A or R4-CC receiver units and the UX8 wall panel.

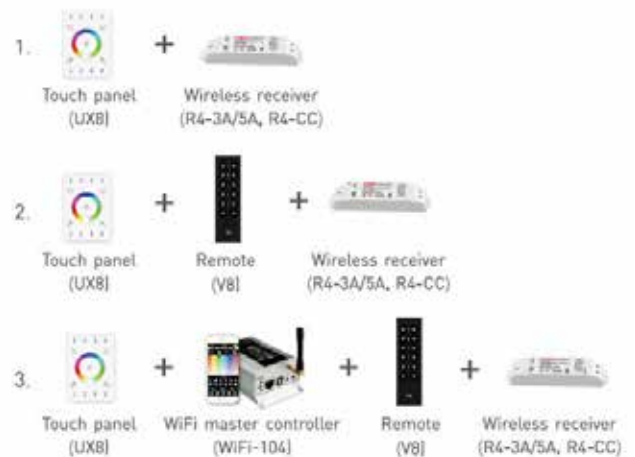
Model	AQD-400-V8
Frequency	RF 2.4Ghz
Dimensions	150 x 46 x 18
Range	30M Max



### DMX512 Signal Output :



### Wireless Control:



# Lighting Glossary

## Luminous Intensity

(candela, cd)  
1 cd = 1 lm / sr.

Luminous intensity is the light emitted in a given direction by a source. It is measured in candela (cd). The candela is an SI base unit from which other lighting related units are derived. The candela is defined as "the luminous intensity, in a given direction, of a source that emits monochromatic radiation of frequency 540 x 10<sup>12</sup> Hz and that has a radiant intensity in that direction of 1/683 W per steradian."

## Luminous Flux (lumen, lm)

1 lm = 1 cd . 1 sr

Luminous flux is the total amount of light emitted from a source in all directions. It can be used to approximate the "brightness" of a source, given that it is an average of the visible portion of the spectra emitted by a light source weighted by a function known as 'v-lambda' that describes the human visual systems sensitivity to light of different wavelengths. The lumen is a derived unit defined as 1 candela emitted in 1 unit solid angle, or steradian.

## Radiant Flux (W)

The radiant flux of a light source is a measure of the total power emitted by a source across the entire electromagnetic spectrum, including non-visible portions such as UV and IR. In lighting, radiant flux is used in order to determine the luminous efficacy of a light source.

## Luminous Efficacy (lm/W)

The luminous efficacy of a light source is determined by dividing the luminous flux by the radiant flux. The resulting fraction or coefficient describes the degree to which a source emits radiation in the visible or 'useful' part of the spectrum for lighting purposes. Energy emitted in wavelengths outside the visible portion of the spectrum reduces the overall luminous efficacy of a light source.

## Illuminance (lux, lx)

1 lx = 1 lm/m<sup>2</sup>

Illuminance is the light incident on the surface of a plane. It is a derivative unit where 1 lux = 1 lumen spread over 1 square meter. Illuminance can be further classified as perpendicular or horizontal illuminance, when needing to differentiate in the analysis of a lit environment. The inverse square law can be used to calculate the lux incident on a plane with a known source intensity and distance.

## Luminance (cd/m<sup>2</sup>)

Luminance is the light emitted from or reflected from a surface and approximates the brightness. It is dependant on the luminance of incident light and the reflectance of the surface. It is also commonly used to measure the brightness of a monitor or display.

## Color Rendering

The colour rendering ability of a light source is the degree to which the source alters the appearance of an illuminated object relative to the appearance of the object under a reference illuminant. The most commonly used system for measuring this is the Colour Rendering Index (CRI). A series of coloured patches are evaluated under the source illuminant and an average calculated and indexed to a score (Ra) out of 100. Although in widespread use, there are several issues with the CRI system. An improved standard is TM-31 which is now available.

## CCT

The colour temperature of a light source is a measure used to describe the appearance of a white-light source. 'Cool' sources are said to have a higher CCT (above 5000K) whilst 'Warm' sources have lower temperatures (below 3000K). It is referred to as correlated colour temperature because the appearance of the light source is being compared to that of an 'ideal' black-body radiator with a similar surface temperature measured in kelvin (K).

## Beam Angle (FWHM)

Full Width Half Maximum (FWHM) is an expression often found in the specification of LED optical systems. It refers to the width of the beam where the intensity is 50% of the maximum. This is typically measured by a goniophotometer during standard photometric testing. Some manufacturers may use different systems for specifying optical beam performance.

## Voltage Drop

Voltage drop in landscape lighting is the degree to which the starting voltage decreases over a given length of cable as a function of both the current load (A) and the resistance ( $\Omega$ ) of the cable. If the proper cable is not selected, voltage drop can produce faults such as low output or flickering lights. Selecting luminaires with the Aqualux MultiVoltage™ internal driver and using a 24V power supply can mitigate many of these issues, allowing for cheaper and more flexible installation.

## LM-80

The LM-80 standard is the IESNA approved method for determining lumen maintenance of LED light sources, e.g. how quickly the light output of an LED source degrades over time. It deals with actual measurements only.

## TM-21

TM-21 is a way of taking LM-80 data and making useful extrapolations in order to calculate longer LED lifetimes, given that testing for more than 10,000 hours is impractical. It is the TM-21 method that lets LED manufacturers determine the L70 and L80 lifetime expectancies of their LEDs.

## TM-31

TM-31 is the official replacement for the previous system (CRI) of determining the ability of a light source to accurately render colour in comparison to a reference source. Although not widely spread, TM-31 measurement is expected to be the future of CRI standards.

## LM-79

The LM-79 test report provides details about the performance of a total luminaire package, including wall-to-lumen efficacy, luminous flux, luminous intensity distribution and CCT / CRI details. It is the most common "lighting test report" available for many light fittings.

## IES File

An IES file is a digital representation of the zonal luminous intensity distribution of a light source. This file can be used by lighting software to accurately render the spread of light from a source to determine if the fitting provides the required illumination.

## Integrating Sphere

An integrating sphere is a device used to measure to total luminous flux of a source. Comprised of a spherical housing the inner surface is coated with a highly diffuse paint. When a light is shone in through the aperture, the internal surface "integrates" the light into an average which a calibrated sensor can then use to determine the total flux.

## SPD

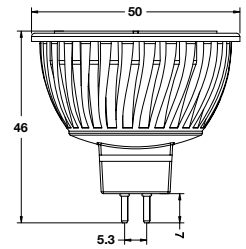
The Spectral Power Distribution "SPD" of a source represents the distribution of the radiant power throughout the visible spectrum. Usually defined in 5nm increments it can be used to determine the luminous efficacy of a light source and it's colour rendering properties.

# Aqualux LED Globes

## A complete range designed for landscape lighting

### Features

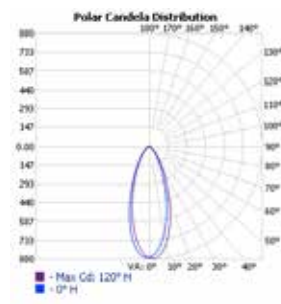
- True MR16 GX5.3 Form, Fits most MR16 / GX5.3 Luminaires.
- 4W High-Power LED technology, thermally optimised for enclosed fittings.
- 3000K / 5700K / Amber / Red / Green / Blue for Lighting design flexibility.
- 12 ~ 24V AC/DC MultiVoltage™ for ultimate installation flexibility.
- New ultra-spot 10D model for highlighting columns, trees and features.



### AGL-250 / 4W

<b>POWER</b>	4.0W
<b>LUMINOUS FLUX</b>	250lms
<b>BEAM ANGLE</b>	38° FWHM
<b>LUMINOUS INTENSITY</b>	560 cd
<b>EFFICACY</b>	62.5 lms / W
<b>CCT</b>	3000K
<b>CRI</b>	83 Ra
<b>LED</b>	SSC 3030
<b>LIFETIME</b>	30,000 Hours
<b>VOLTAGE</b>	12V ~ 24V AC / DC
<b>BASE</b>	GX5.3
<b>DIMENSIONS</b>	MR16 50 X 47 MM

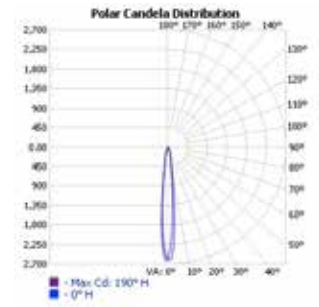
### 38°



### AGL-550 / 6W

<b>POWER</b>	6W (5.7W hot @ 24VDC)
<b>LUMINOUS FLUX</b>	550lms nom. (525lms hot)
<b>BEAM ANGLE</b>	36° FWHM
<b>LUMINOUS INT.</b>	780 cd
<b>EFFICACY</b>	92 lms / W (hot)
<b>CCT</b>	3000K
<b>CRI</b>	82 Ra
<b>LED</b>	Nichia
<b>LIFETIME L70</b>	25,000 Hours
<b>VOLTAGE</b>	12V ~ 24V AC / DC
<b>BASE</b>	GX5.3
<b>DIMENSIONS</b>	MR16 50 X 47 MM

### 10°



AGL-250-30X38 / 4W 38° ILLUMINANCE PLOT

HEIGHT (M)	BEAM SPREAD (M)	CENTER BEAM (LUX)
1	0.7	596 lx
2	1.3	149 lx
3	2.0	66 lx
4	2.6	37 lx
5	3.3	23 lx
6	3.9	17 lx

AGL-250-30X10 / 4W 10° ILLUMINANCE PLOT

HEIGHT (M)	BEAM SPREAD (M)	CENTER BEAM (LUX)
1	0.2	2571 lx
2	0.4	642 lx
3	0.6	285 lx
4	0.8	160 lx
5	1.0	102 lx
6	1.2	71 lx

AGL-550-30X36 / 6W 38° ILLUMINANCE PLOT

HEIGHT (M)	BEAM SPREAD (M)	CENTER BEAM (LUX)
1	0.7	865 lx
2	1.4	216 lx
3	2.1	96 lx
4	2.8	54 lx
5	3.5	34 lx
6	4.2	24 lx



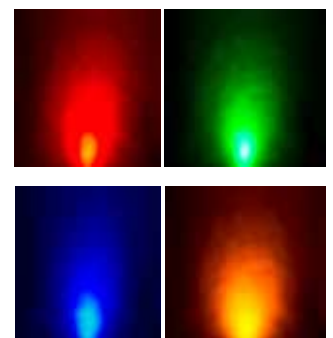
AGL-250-30X38  
3000K / 38° / 250LM / 4W



AGL-250-55X30  
5500K / 38° / 250LM / 4W



AGL-250-30X10  
3000K / 10° / 235LM / 4W



RED 627NM / 38° / 4W  
GREEN 530NM / 38° / 4W  
BLUE 470NM / 38° / 4W  
AMBER 590NM / 38° / 4W



# Aqualux System Guide

## LED System

Aqualux utilises a variety of LED chipsets, primarily from CREE. Our internal driver configurations vary based on the luminaire and light output required. Refer to the table below

for general wattage / voltage parameters, and to individual product pages for more detail. Call us to confirm for larger installations & project requirements.

	Lumen Output (lm) <sup>1</sup>	Drive Current	Luminaire (Vf)	Wattage (W) <sup>1</sup>	Input Voltage <sup>3</sup>
<b>X01</b>	50	150mA	3.5	0.6	11 ~ 28V AC / DC
<b>X03</b>	300	300mA	12	3.6	12 ~ 24V AC / 15 ~ 24V DC
<b>X06</b>	250	300mA	9	2.7	11 ~ 28V AC / DC
<b>X12</b>	550	550mA	12	6.6	12 ~ 24V AC / 15 ~ 24V DC
<b>X15</b>	1450	1500mA	12	15	24V DC
<b>D12</b>	50 ~ 550 <sup>2</sup>	150mA ~ 500mA	12	4.5	24V AC / DC

1. Nominal values given for lumen output and wattages will vary based on the particular optical configuration (lens or diffuser choice), LED colour temperature and input voltage.  
 2. The maximum & minimum output of the dimmable driver will vary based on the exact dimmer selected & power source used. 0% dimming is not currently possible.  
 3. Check specific luminaire specification before completing system design.

## Optical

Aqualux fittings can generally be configured with a choice of optical lenses. The images and photometric charts below show the difference between the standard choices. In some

products a diffuse or frosted option is available - this delivers a much broader, non-focussed light.

### Narrow

A narrow beam for highlighting taller features or thin trees, where greater penetration is required.

### Medium

General purpose beam for most applications, a good all round spread of light for various applications.

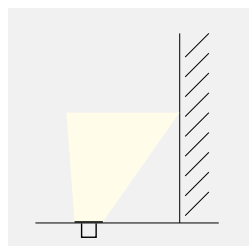
### Wide

Broader spread for washing larger flora or wall features where a greater beam coverage is required.



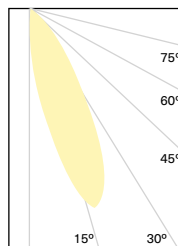
## Assymmetric

### Wall Washer



Wall Washer / Cutoff Option

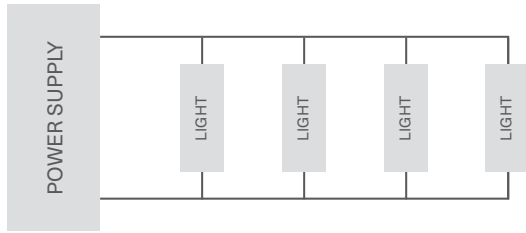
### Billie



# Wiring, Materials & Corrosion

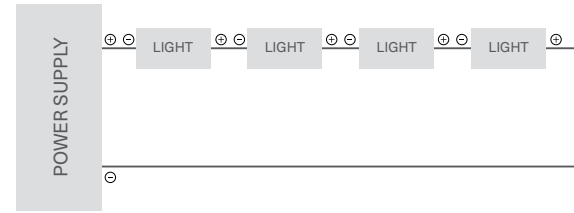
## Parallel Wiring

All Aqualux LED luminaires are designed to be wired in parallel. This is the most common electrical wiring approach used for standard residential & commercial installations.



## Series Wiring

For systems where internal drivers have been removed in order to provide dimming functionality series wiring is required, along with a Constant Current PSU.



## Aluminium (6063)



Aluminium can be grouped into two different categories with respect to outdoor lighting - Machined or Cast. Machined, 6000-series aluminum is a superior alloy and can be effectively anodized, a process which integrates a layer of extra-hard aluminium oxide into the surface of the metal and protects against corrosion.

- › Durable material (yacht masts, rock-climbing hardware etc)
- › Minimal maintenance / good thermal conductivity
- › Variety of colours available

## Brass



An alloy of tin & copper, brass is a material in common use for a wide variety of outdoor light fittings. Highly resistant to corrosion, brass will oxidize lightly over time but will generally not degrade structurally even in highly corrosive environments. Most brass fittings are generally cast and then machined.

- › Very durable material
- › Available in different surface finishes.

## Copper



Copper is a popular option for more traditional settings and will naturally oxidize over time, turning a dark green colour as the metal reacts with oxygen in the air, unless it is continuously polished. Copper is one of the most expensive materials used in the construction of light fittings but also one of the most enduring.

- › Copper is a traditional look, will age naturally
- › Will last the longest with minimal maintenance
- › Variety of surface finishes available

## Stainless Steel



Stainless Steel is a popular choice for luminaire construction. Featuring resistance to corrosion, Stainless Steel for luminaire construction comes in two common grades, 304 & 316 ("Marine Grade").

Stainless Steel must be maintained in order for it to retain it's "stainless" appearance. Tea staining, dirt, salt and even rust can build up on any type of "Stainless" fitting unless it is properly maintained by wiping it down every few months with a damp cloth.

- › Reasonably durable material
- › Requires maintenance to avoid tea-staining
- › Can be electro-polished to improve corrosion resistance

## Corrosion Control - Galvanic Table

The Galvanic Table lists metals in the order of their relative activity in sea water environment. The list begins with the more active (anodic) metal and proceeds down the to the least active (cathodic) metal of the galvanic series. Galvanic series relationships are useful as a guide for selecting metals to be joined, will help the selection of metals having minimal tendency to interact galvanically,

or will indicate the need or degree of protection to be applied to lessen the expected potential interactions. Generally, the closer one metal is to another in the series, the more compatible they will be, i.e., the galvanic effects will be minimal. Conversely, the farther one metal is from another, the greater the corrosion will be.

Active (Anodic)	24. Al 2014-0	48. Brass, Naval, 464	72. Stainless steel 301 (passive)
1. Magnesium	25. Al 2024-T4	49. Yellow Brass	73. Stainless steel 321 (passive)
2. Mg alloy AZ-31B	26. Al 5052-H16	50. Muntz Metal 280	74. Stainless steel 201 (passive)
3. Mg alloy HK-31A	27. Tin (plated)	51. Brass (plated)	75. Stainless steel 286 (passive)
4. Zinc (hot-dip, die cast, or plated)	28. Stainless steel 430 (active)	52. Nickel-silver (18% Ni)	76. Stainless steel 316L (passive)
5. Beryllium (hot pressed)	29. Lead	53. Stainless steel 316L (active)	77. AM355 (active)
6. Al 7072 clad on 7075	30. Steel 1010	54. Bronze 220	78. Stainless steel 202 (passive)
7. Al 2014-T3	31. Iron (cast)	55. Copper 110	79. Carpenter 20 (passive)
8. Al 1160-H14	32. Stainless steel 410 (active)	56. Red Brass	80. AM355 (passive)
9. Al 7079-T6	33. Copper (plated, cast, or wrought)	57. Stainless steel 347 (active)	81. A286 (passive)
10. Cadmium (plated)	34. Nickel (plated)	58. Molybdenum, Commercial pure	82. Titanium 5A1, 2.5 Sn
11. Uranium	35. Chromium (Plated)	59. Copper-nickel 715	83. Titanium 13V, 11Cr, 3Al (annealed)
12. Al 218 (die cast)	36. Tantalum	60. Admiralty brass	84. Titanium 6Al, 4V (solution treated and aged)
13. Al 5052-0	37. AM350 (active)	61. Stainless steel 202 (active)	85. Titanium 6Al, 4V (anneal)
14. Al 5052-H12	38. Stainless steel 310 (active)	62. Bronze, Phosphor 534 (B-1)	86. Titanium 8Mn
15. Al 5456-0, H353	39. Stainless steel 301 (active)	63. Monel 400	87. Titanium 13V, 11Cr 3Al (heat treated and aged)
16. Al 5052-H32	40. Stainless steel 304 (active)	64. Stainless steel 201 (active)	88. Titanium 75A
17. Al 1100-0	41. Stainless steel 430 (active)	65. Carpenter 20 (active)	89. AM350 (passive)
18. Al 3003-H25	42. Stainless steel 410 (active)	66. Stainless steel 321 (active)	90. Silver
19. Al 6061-T6	43. Stainless steel 17-7PH (active)	67. Stainless steel 316 (active)	91. Gold
20. Al A360 (die cast)	44. Tungsten	68. Stainless steel 309 (active)	92. Graphite
21. Al 7075-T6	45. Niobium (columbium) 1% Zr	69. Stainless steel 17-7PH (passive)	End - Noble (Less Active, Cathodic)
22. Al 6061-0	46. Brass, Yellow, 268	70. Silicone Bronze 655	
23. Indium	47. Uranium 8% Mo.	71. Stainless steel 304 (passive)	

# IP, IK Rating & CCT Information

## IP Ratings

The IP (Ingress Protection) rating system provides a means of classifying the degrees of protection from foreign bodies and liquids afforded by electrical equipment and enclosures. The degrees of protection against the ingress of foreign bodies and liquids are indicated by the first two numerals as detailed in the table below.

<b>1st</b>	<b>0</b>	No Protection
	<b>1</b>	Protected against ingress of objects => 50mm in diameter.
	<b>2</b>	Protected against ingress of objects => 12.5mm in diameter.
	<b>3</b>	Protected against ingress of objects => 2.5mm in diameter.
	<b>4</b>	Protected against ingress of objects => 1mm in diameter.
	<b>5</b>	Dust Protected
<b>2nd</b>	<b>0</b>	No Protection
	<b>1</b>	Protected against vertically falling drops of water.
	<b>2</b>	Protected against falling drops of water, when enclosure tilted 15 degrees.
	<b>3</b>	Protected against spraying water.
	<b>4</b>	Protected against splashing water.
	<b>5</b>	Protected against water jets.
	<b>6</b>	Protected against powerful water jets.
	<b>7</b>	Protected against the effects of temporary immersion in water.
<b>8</b>	Protected against the effects of continuous immersion in water.	

## IK Ratings

The IK rating system was introduced in October 1995 as EN62262. It describes the degree to which an electrical enclosure can protect the internal equipment from the effects of mechanical impact.

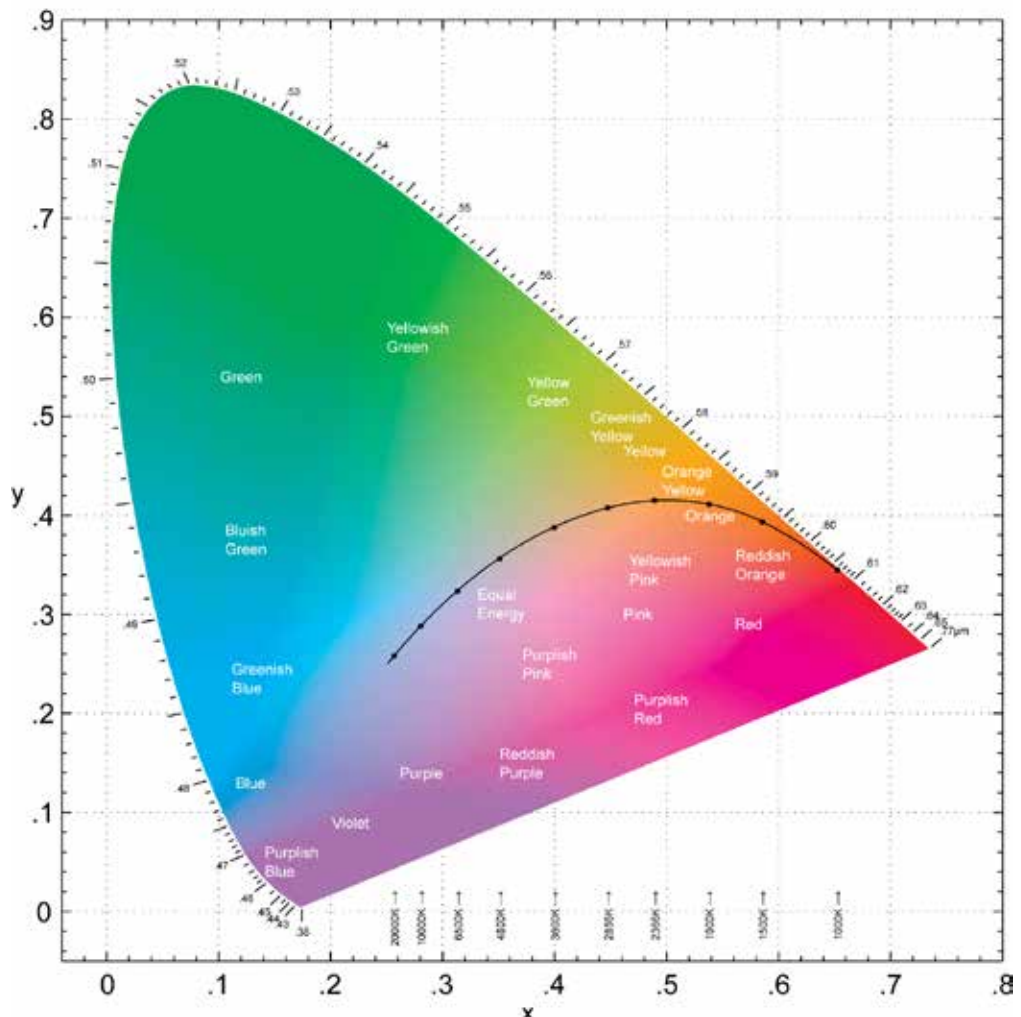
<b>IK00</b>	Not protected
<b>IK01</b>	Protected against 0.14 joules impact. Equivalent to impact of 0.25 kg mass dropped from 56 mm above impacted surface.
<b>IK02</b>	Protected against 0.2 joules impact. Equivalent to impact of 0.25 kg mass dropped from 80 mm above impacted surface.
<b>IK03</b>	Protected against 0.35 joules impact. Equivalent to impact of 0.25 kg mass dropped from 140 mm above impacted surface.
<b>IK04</b>	Protected against 0.5 joules impact. Equivalent to impact of 0.25 kg mass dropped from 200 mm above impacted surface.
<b>IK05</b>	Protected against 0.7 joules impact. Equivalent to impact of 0.25 kg mass dropped from 280 mm above impacted surface.
<b>IK06</b>	Protected against 1 joules impact. Equivalent to impact of 0.25 kg mass dropped from 400 mm above impacted surface.
<b>IK07</b>	Protected against 2 joules impact. Equivalent to impact of 0.5 kg mass dropped from 400 mm above impacted surface.
<b>IK08</b>	Protected against 5 joules impact. Equivalent to impact of 1.7 kg mass dropped from 300 mm above impacted surface.
<b>IK09</b>	Protected against 10 joules impact. Equivalent to impact of 5 kg mass dropped from 200 mm above impacted surface.
<b>IK10</b>	Protected against 20 joules impact. Equivalent to impact of 5 kg mass dropped from 400 mm above impacted surface.

## CCT

### Correlated Colour Temperature.

Color Temperature is the chromacity of a light source as determined by it's position on an imaginary line drawn through a colour space. This line is often referred to as a 'blackbody locus', as it is the locus (line) resulting from graphing the chromacity of a perfect blackbody radiator as it changes temperature. In general, "hotter" CCT's appear "cooler/ bluer" whilst "colder" CCT's appear "warmer/ more red"

CCT	Example
2000°	Gaslight
2470°	15 watt incandescent bulb
2565°	60 watt incandescent bulb
2665°	100 watt incandescent bulb
2755°	500 watt incandescent bulb
2900°	500 watt Krypton bulb
3100°	Projector type filament bulb
3250°	Photo Flood
3400°	Halogen
3900°	Carbon arc
4200°	Moonlight
4700°	Industrial smog
5100°	Hazy weather
5500°	Sun 30° above horizon
6100°	Sun 50° above horizon
6700°	Electronic Flash
7400°	Overcast sky
8300°	Foggy weather
30,000°	Blue sky



Blackbody locus drawn through the CIE 1931 x,y color space.

# Warranty Information

## Aqualux Limited Warranty Certificate & Information / 2016-1

Aqualux designs and manufactures advanced landscape lighting of many different varieties. We utilise the highest grade components sourced from around the globe and assembled in our quality-controlled Sydney, Australia facility. From time-to-time, for a number of possible reasons, our products

may experience an issue after installation. This warranty guide details the various warranties our products carry, the causes of product failure that we have experienced over time and the steps necessary to make a warranty claim should that be necessary.

### Fit-for-Purpose & Installation Requirements

All warranties offered in addition to the statutory requirement of 1 Year are done so on the condition that Aqualux lighting products are fit-for-purpose and installed professionally or by similarly qualified persons and that all guidelines and requirements are followed. Fit-for-purpose in this context refers to the intended application our products are designed for which is residential and commercial garden & landscaping environments. Products not specifically designated IP68 are not fit for submersion, either intended or accidental.

### Remote, Difficult & Unusual Installations

Where Aqualux products are installed in unusual, remote or difficult to access locations and environments, this is done so at the end-users risk. Where warranty issues arise, Aqualux is limited in it's liability to the cost of repairing or replacing the product only.

Examples of remote & unusual installations include (but are not limited to) jobs which require scissor lifts, traffic management, significant labor or the removal of paneling or other secondary installation materials. If you are uncertain please contact us to discuss: 1300-662-644.

### AQS-Series Strip Lighting

Please pay particular attention to our fit-for-purpose and unusual installation warranty notes when designing with AQS LED Strip Lighting. Whilst LED strip lighting allows for very unique and previously impossible lighting effects to be achieved, it is still a sensitive electronic device that is potentially subject to failure through a variety of modes including improper handling during installation. Aqualux is not liable for any costs associated with accessing or replacing AQS-Series strip.

### Warranty Claims Procedure

To make a claim for service to repair or replace under an Aqualux warranty. Contact the original reseller and/or installer of the product. They will generally be able to process the claim on your behalf.

If your original reseller is no longer in business or you are not sure who it may have been, please contact us directly with a photo of your product and a summary of the issue.

## Warranty Period

Family	Mechanical	Electrical	AqualuxPLUS+
Lumena	3 Year	3 Year	6 Year Total
Phoenix	3 Year	3 Year	6 Year Total
Artisan	10 Year	3 Year	N/A
Hydra	2 Year	2 Year	6 Year Total
Elements	2 Year	2 Year	N/A
Aquatran	10 Year	10 Year	N/A
Orion / Polaris	3 Year	3 Year	N/A
AQS Strip Lighting	2 Year	2 Year	N/A
AGL LED Globes	2 Year	2 Year	N/A

## Cable Termination Requirements

Cable terminations and joins MUST be IP68 rated for this warranty to apply. Joins and connections that are not fit-for-purpose or that are manifestly unsuitable will NOT be serviced by Aqualux and any product failure arising from such terminations will void any warranty available from Aqualux.

Examples of inadequate joining methods:

- 1) Terminal block + electrical tape
- 2) Twisted wires (no solder) + electrical tape.
- 3) Multiple conductor bundles & terminations that are not IP rated.

## Aqualux PLUS+

The Aqualux PLUS+ warranty program is an option available on select models to enhance the warranty we are able to offer. Unlike other extended-warranty schemes, Aqualux PLUS+ includes an additional cable adapter designed to both prevent moisture siphoning into the fitting as well as facilitated rapid replacement should there be a problem in the field.

1. AqualuxPLUS+ Warranty is offered in additional to our basic warranty and extends the time period during which we will continue to honor our basic warranty obligations.

2. In the event of a product failure and that product is covered by the AqualuxPLUS+ scheme, we will ship a replacement product to the site and include a return postage option for the failed product to be shipped back at our cost. The actual replacement of AqualuxPLUS+ products is to be performed by the customer or end-user.

3. AqualuxPLUS+ does not extend our liability for incidental or consequential damages including but not limited to any additional installation costs.

4. AqualuxPLUS+ fees may vary from time to time. AqualuxPLUS+ warranty options cannot be renewed.

## The Fine Print

Aqualux Lighting is a brand wholly owned by Telectran International. Telectran International Pty. Ltd. ("Telectran") warrants to the purchaser of products described herein to be free from defects in material and workmanship for a period commencing at the date of purchase and expiring at the end of the period specified (the "warranty period"). No other warranty, whether express or implied, including any warranty of merchantability or fitness for a particular purpose, shall exist in connection with the sale or use of such products.

Warranty is subject to the following limitations:

1. Defects that are, in the sole judgment of Telectran, the result of accident, misuse, abuse, neglect, mishandling, misapplication, faulty installation, unauthorized repair, modification, or acts of God will not be covered by this warranty.
2. Telectran shall not be liable for incidental or consequential damages, including but not limited to labor costs or lost profits resulting from the use of or inability to use the goods or from the goods being incorporated in or becoming a component of any other product. Without limiting the generality of the foregoing,

Telectran will not be responsible for labor costs involved in the removal of goods or the installation of replacement goods.

3. If a problem develops with a product during the warranty period call or write us. We may be able to help you identify specific problems and possibly solve them before the unit is returned to us for repair or replacement. In any case, DO NOT RETURN ANY GOODS WITHOUT OBTAINING A RETURN AUTHORIZATION NUMBER and instructions from us. Telectran cannot be responsible for damage due to shipping or improper packaging when returning goods. Please see our returns policy for further information.

4. All claims under this warranty must be made in writing. Upon receipt of claim, the Company shall inspect the part or parts claimed to be defective, and the Company shall repair, or at it's option, replace, free of charge, any part or parts which the Company determines to have been defective at the time of shipment from the factory; provided, however, that if circumstances are such as to preclude the remedying of warranted defect by repair or replacement, the Company shall, upon return of the products, refund to buyer any part of the purchase price of the products theretofore paid to the Company. Inspection shall, at the Company's option, be performed at the Company's plant, or at such other place as may be designated by the Company.

# Contact

[aqualuxlighting.com](http://aqualuxlighting.com)

Aqualux Lighting  
Unit 4/12A Rodborough Road  
Frenchs Forest NSW 2086 Australia

1300 662 644  
+61 2 9454 7900

Fax: +61 2 9975 7347  
[sales@aqualux.com.au](mailto:sales@aqualux.com.au)

