

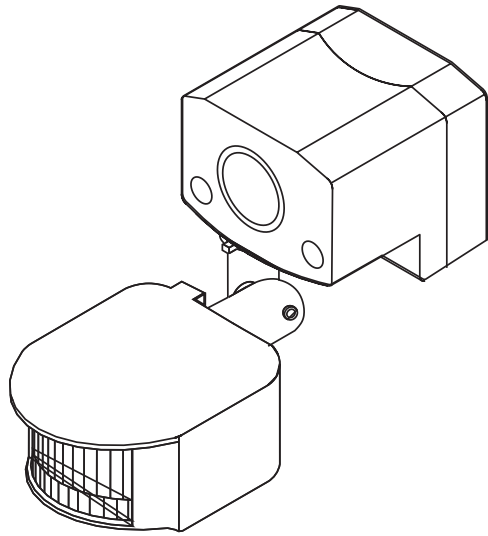
Installation Instructions

1. Connection

- Mount unit in chosen orientation with cable entry holes facing downwards.
- Select a knock-out hole depending on the orientation, knock-out plastic circle, insert sensor unit and fasten with metal nut from the inside.
- Insert cabling through rubber grommet and wire according to wiring diagram below.
- Attached sensor unit to the base unit and insert and fasten mounting screws.

2. Setup & Adjustment.

- The unit needs approx. 20secs to warm up after power on.
- The settings shown in the diagram below-right will result in the sensor activating with maximum range and sensitivity, switching on for 6 secs.
- Adjust the time dial to desired ON duration. Minimum is 6 secs maximum is 12 minutes.
- Adjust the LUX dial according to the ambient light level at which the controlled lighting will turn on.



AQT-003 Specifications

Voltage	220-240V ~ 50Hz
Load Max.	1000W incandescent, 500W Halogen.
Lux	Adjustable 5-500 Lux
Switch Delay	~ 60 secs
IP Rating	IP44
Class	II
Time On	Adjustable 6sec - 12 min.
Operating Temp.	-20C - +45C

